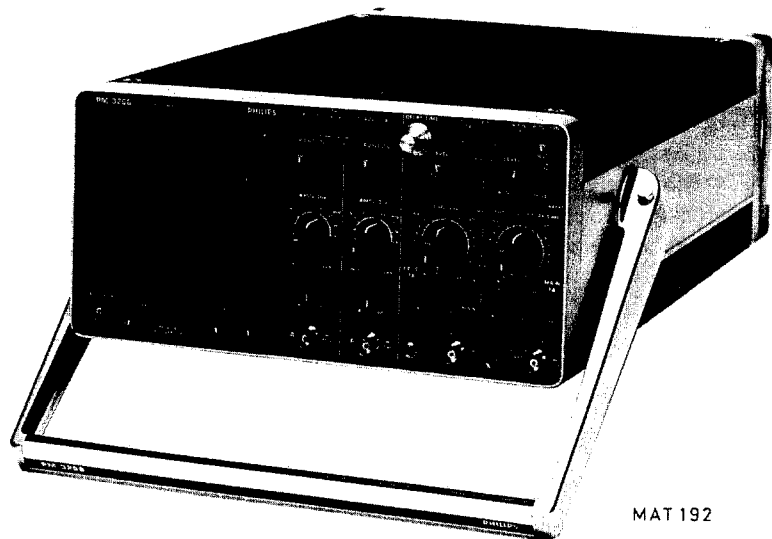


Portable Storage Oscilloscope PM3266

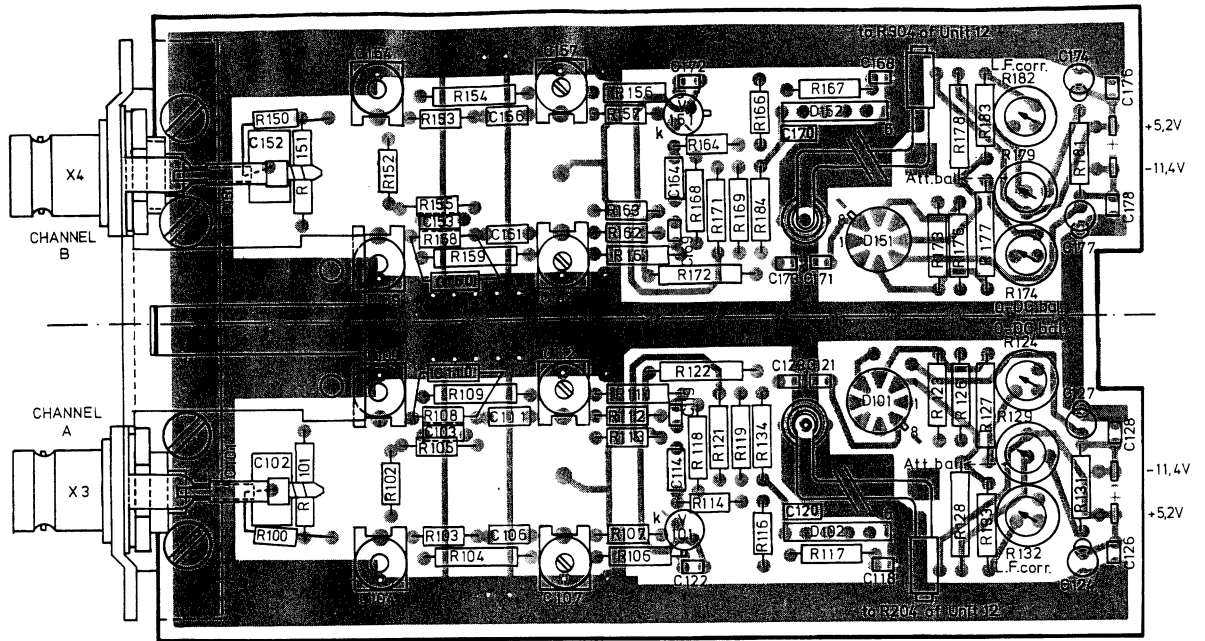
Instruction Manual/Gerätehandbuch/Notice d'emploi et d'entretien

9499 443 02302
811130/04/..



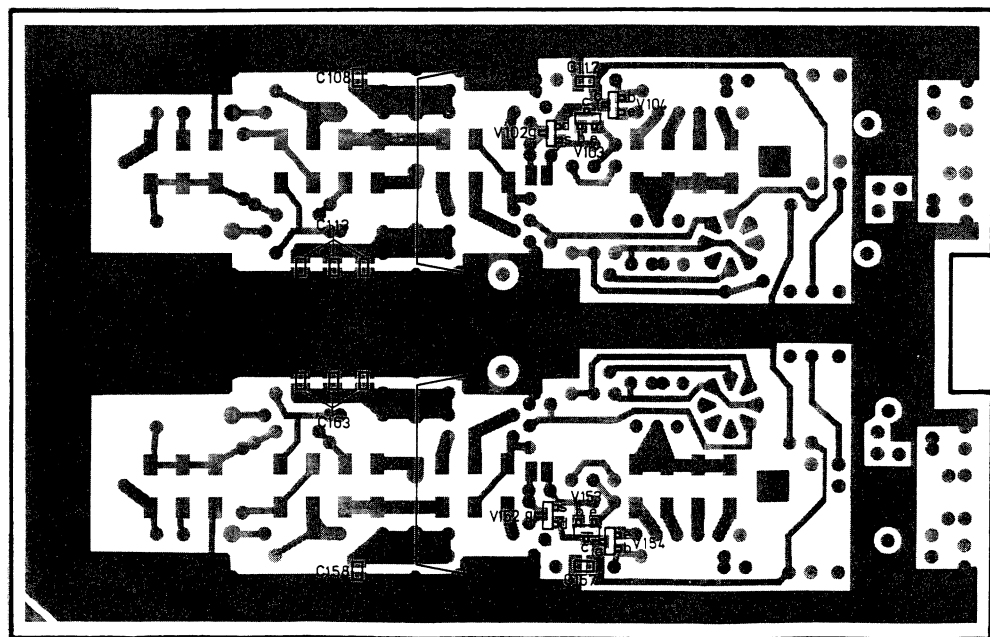
PHILIPS

12. CIRCUIT DIAGRAMS AND PRINTED CIRCUIT BOARD LAY-OUTS



MAT 47 A

Fig. 12.1. Vertical attenuator (Unit 2), component side lay-out



MAT 48 A

Fig. 12.2. Vertical attenuator (Unit 2), conductor lay-out

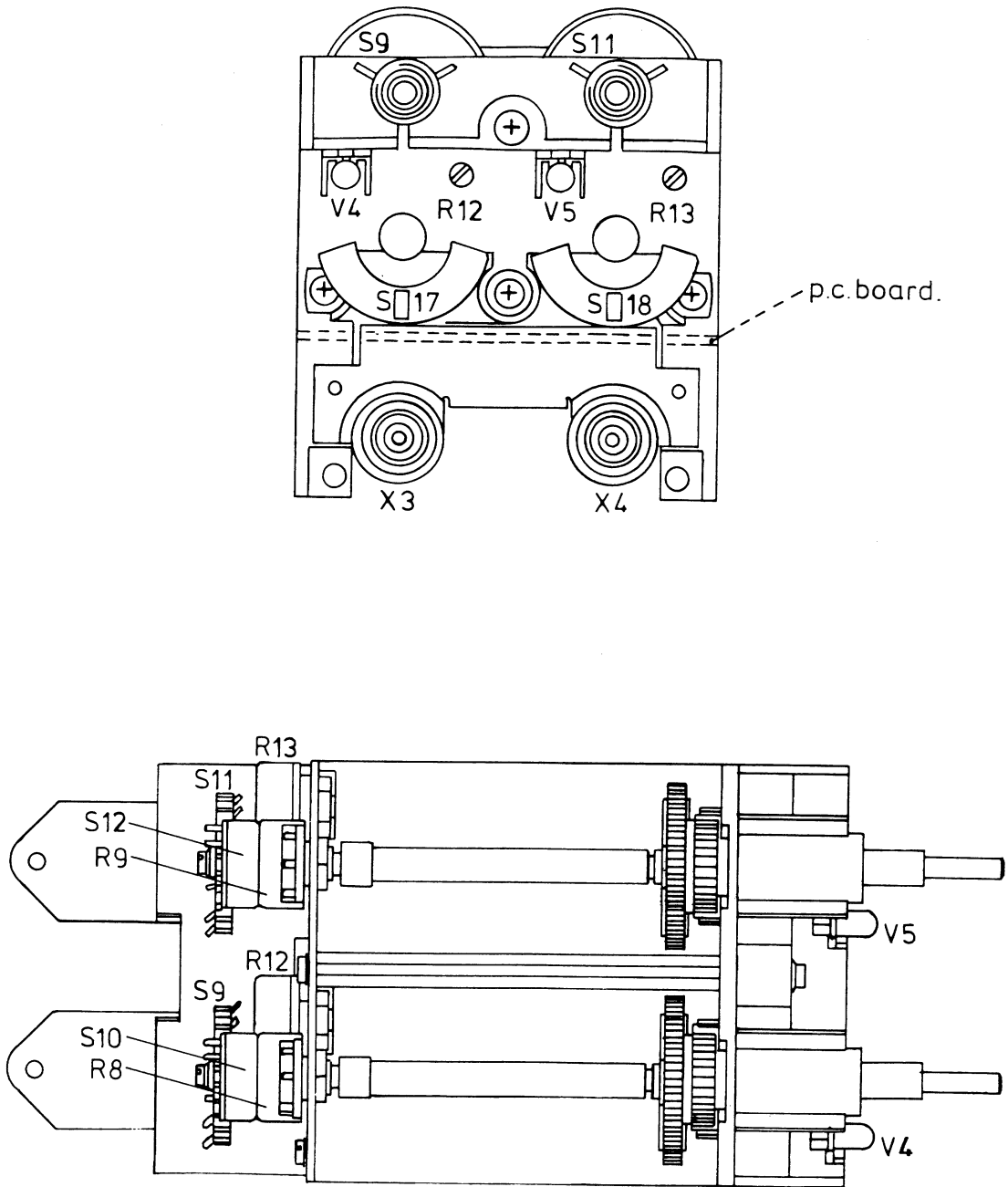


Fig. 12.3. Vertical attenuator (Unit 2), mechanical lay-out

MAT 49

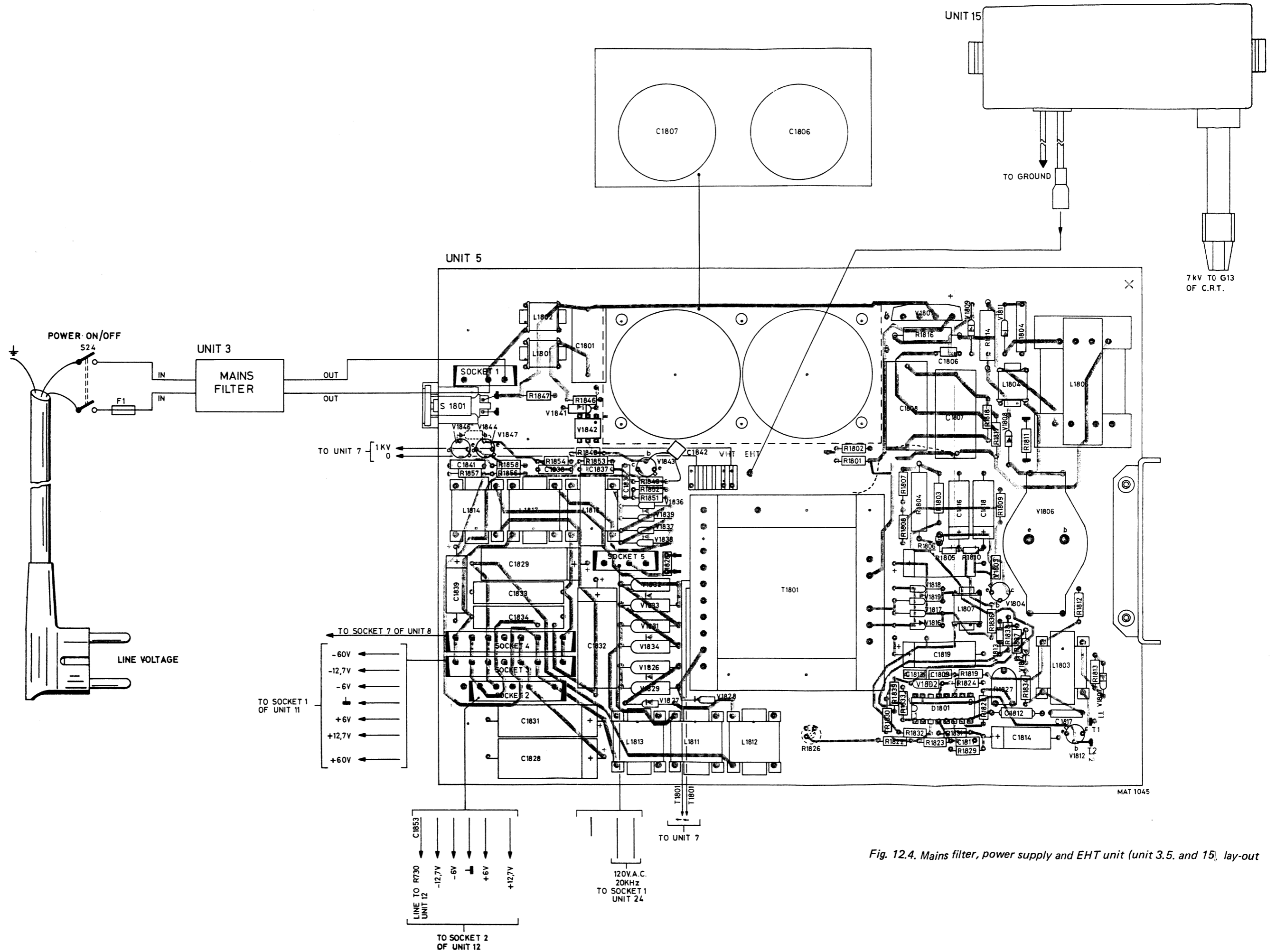


Fig. 12.4. Mains filter, power supply and EHT unit (unit 3.5. and 15), lay-out

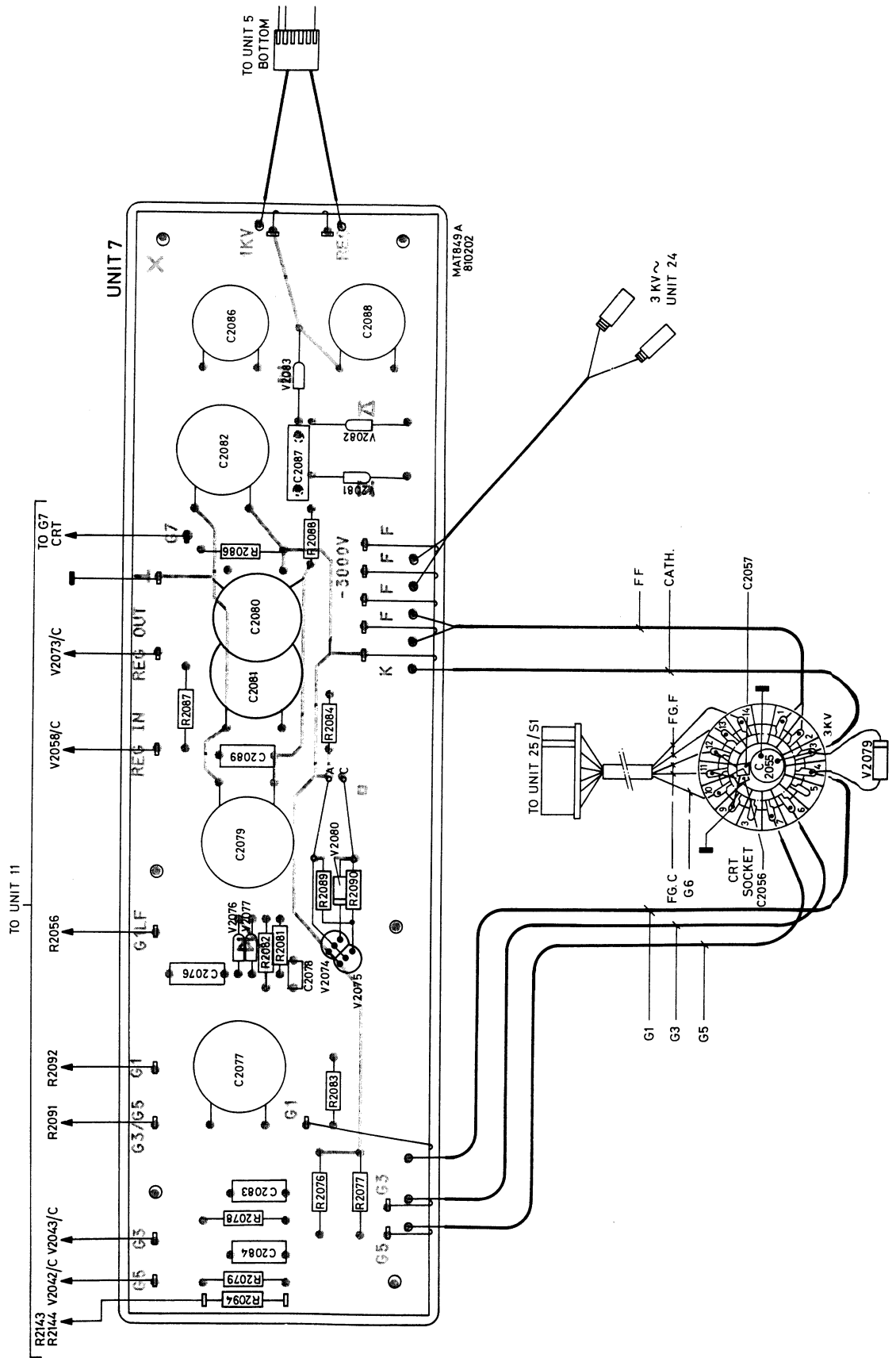


Fig. 12.5. Focus unit (unit 7, lay-out)

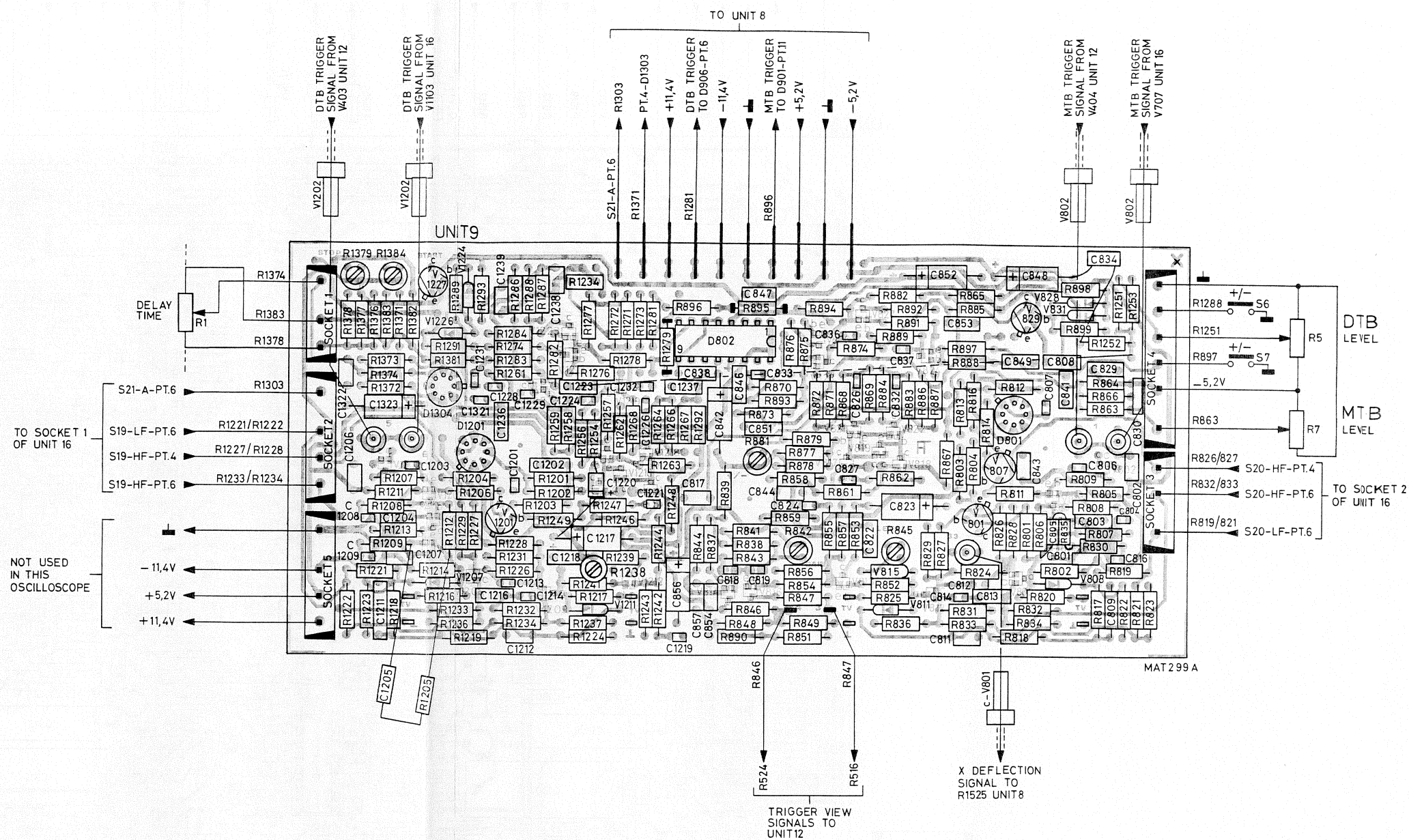


Fig. 12.7. Trigger amplifier (unit 9), lay-out

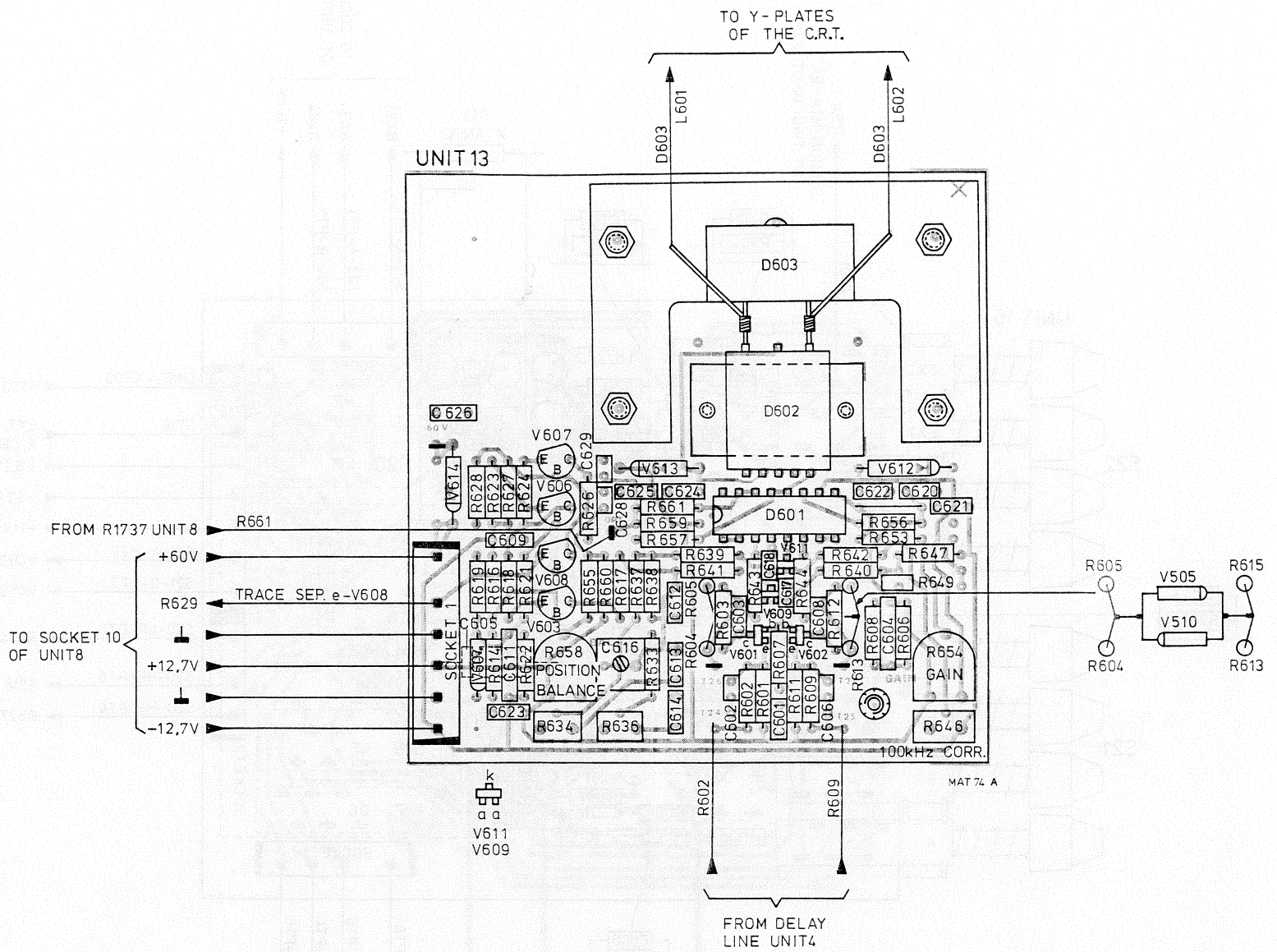


Fig. 12.10. Final Y-amplifier (unit 13), lay-out

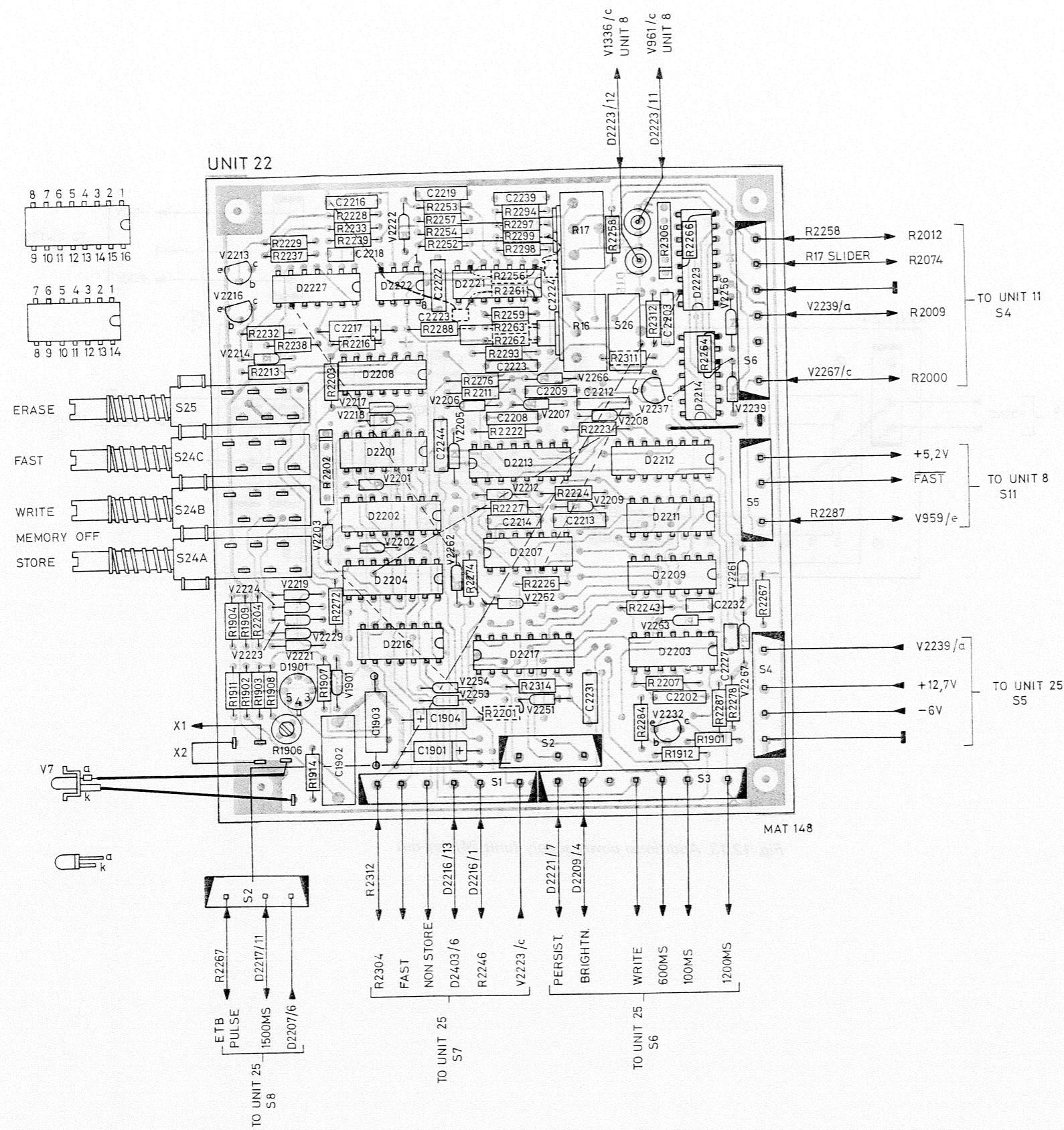


Fig. 12.12. Storage logic (unit 22), lay-out

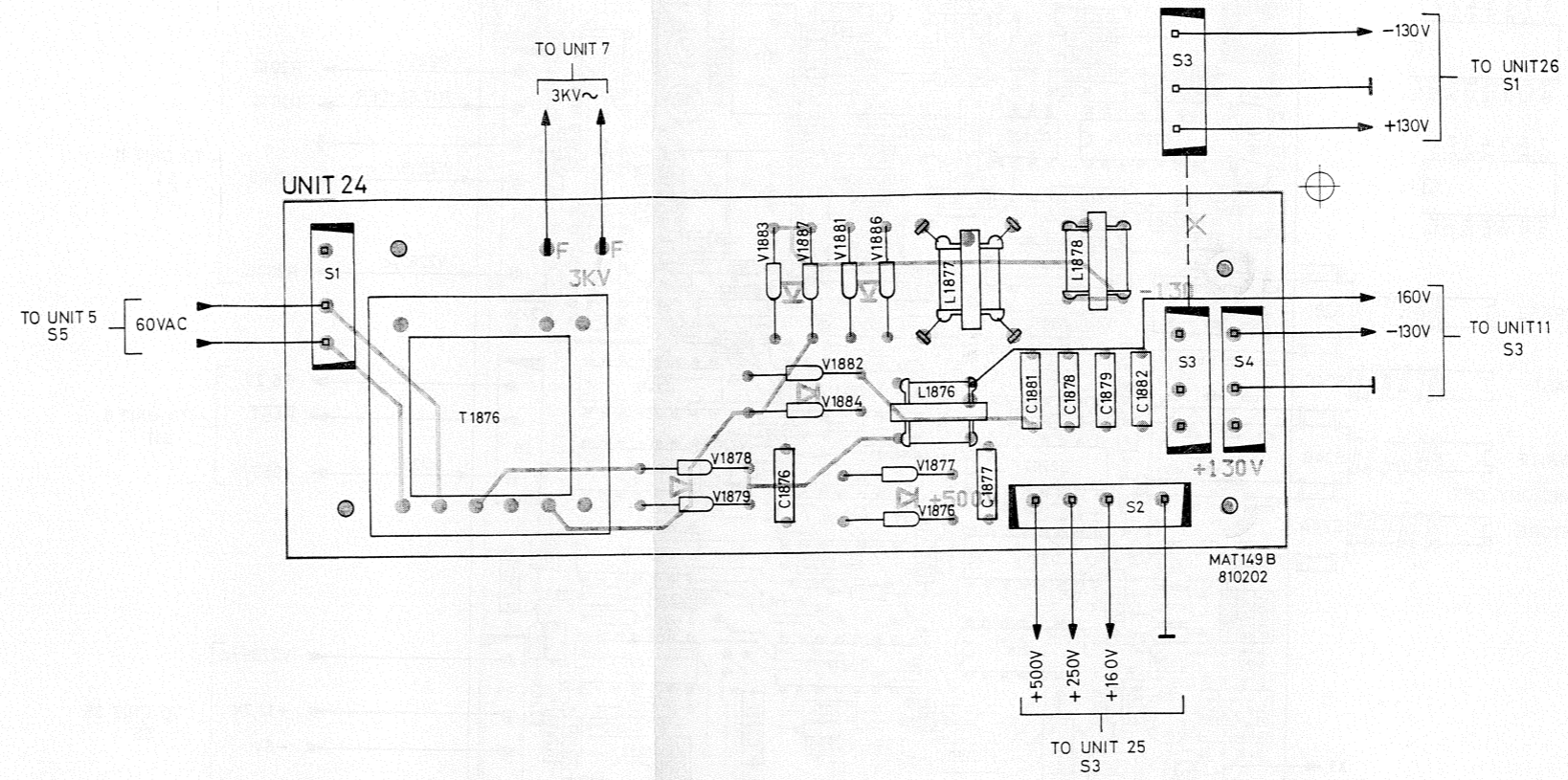


Fig. 12.13. Additional power supply (unit 24), lay-out

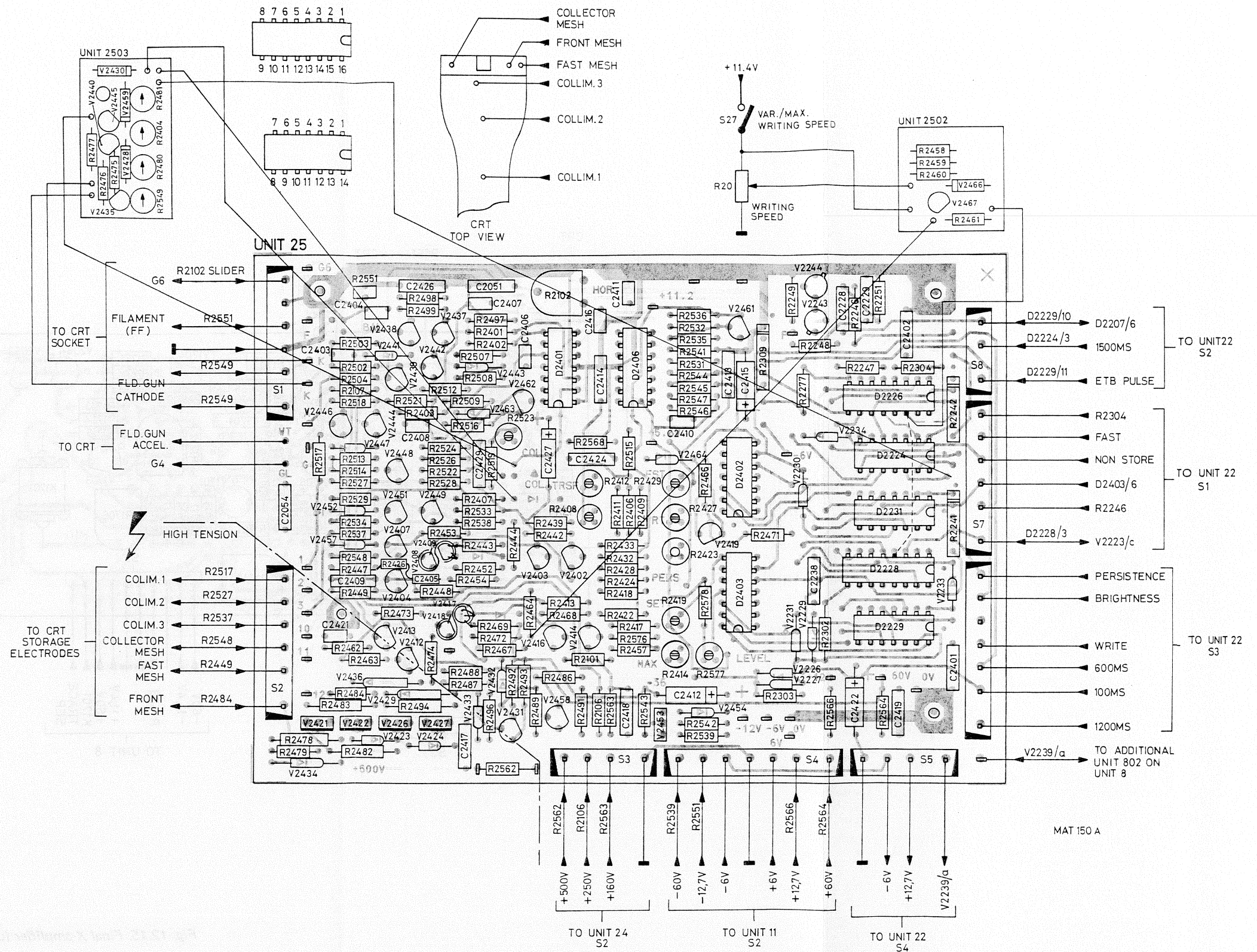


Fig. 12.14. Storage amplifier (unit 25), lay-out

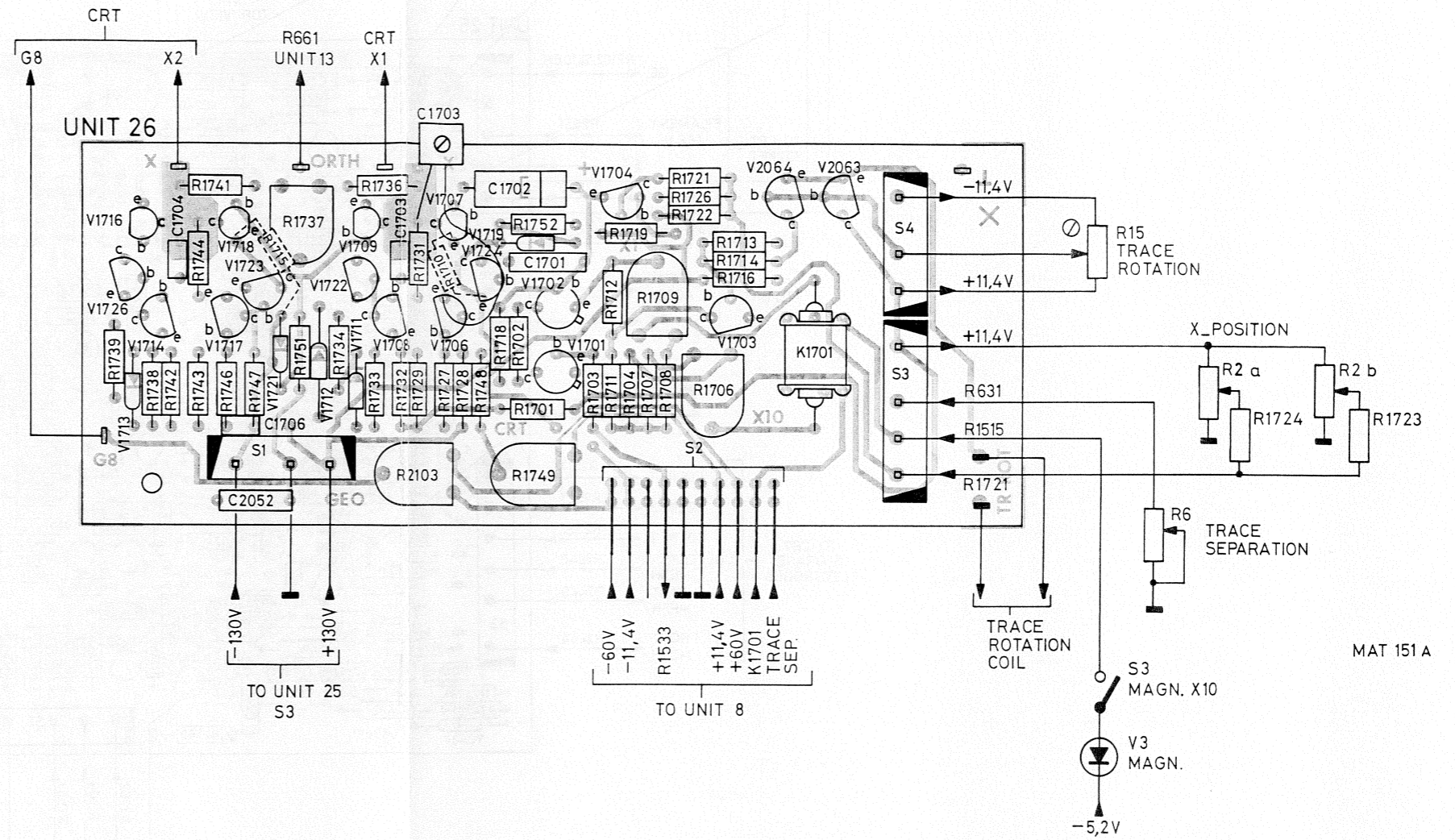
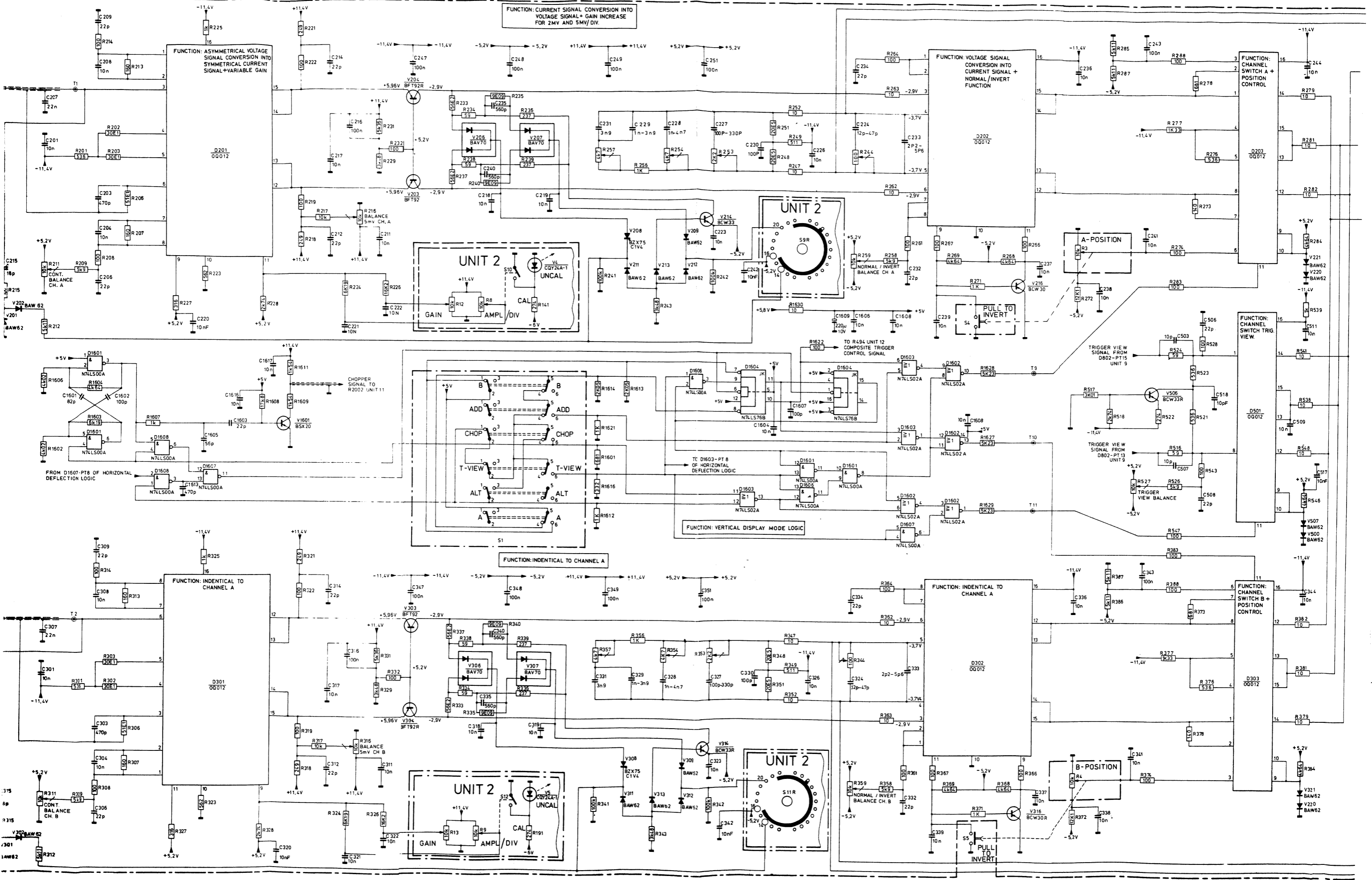
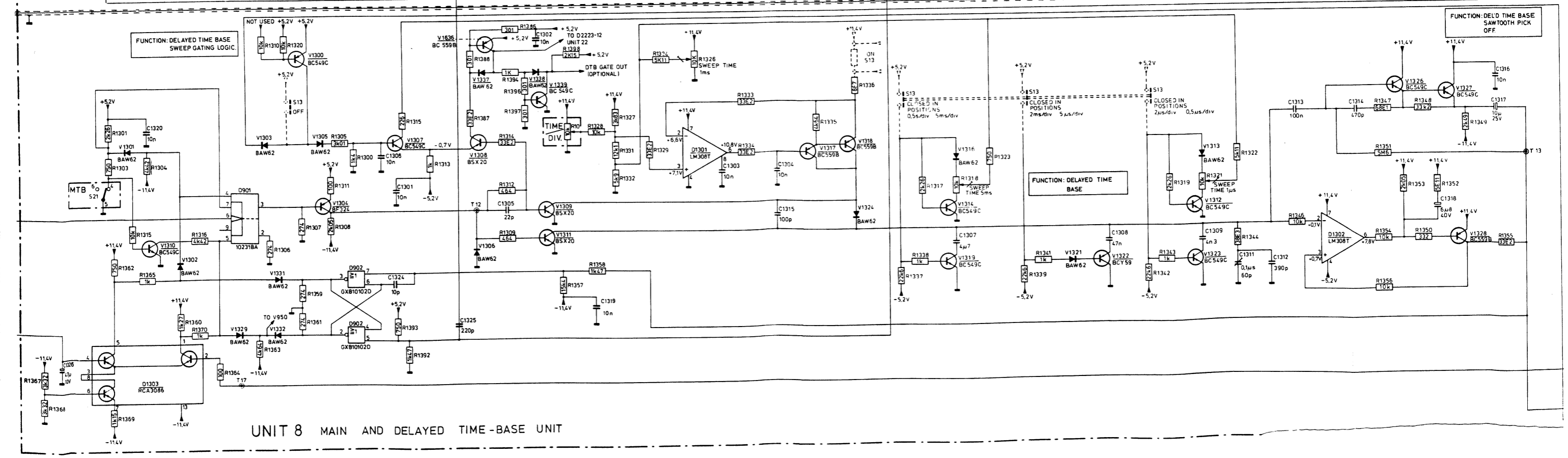
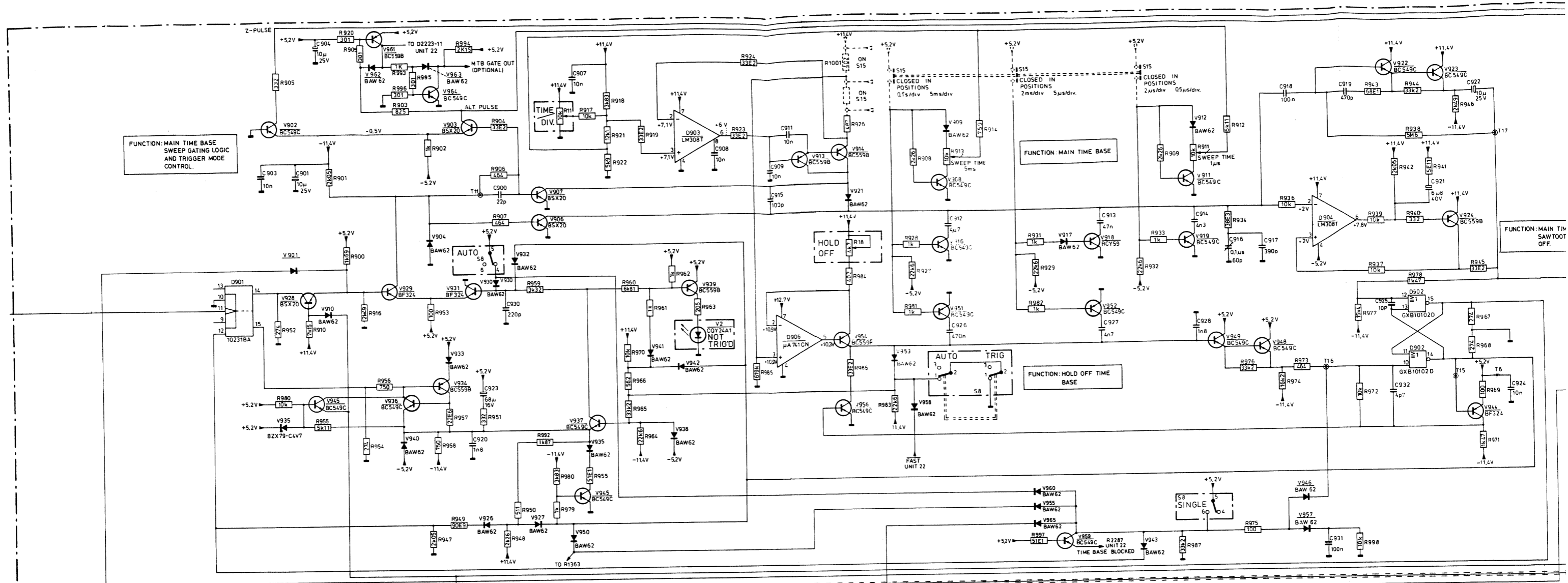
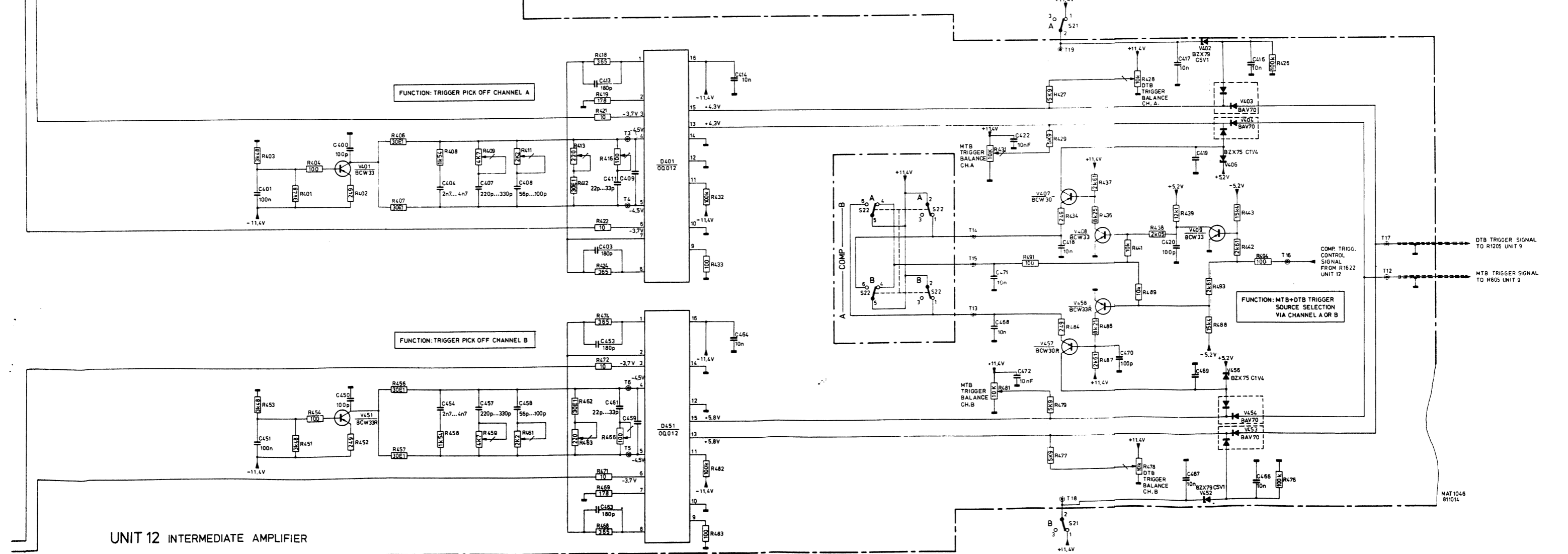
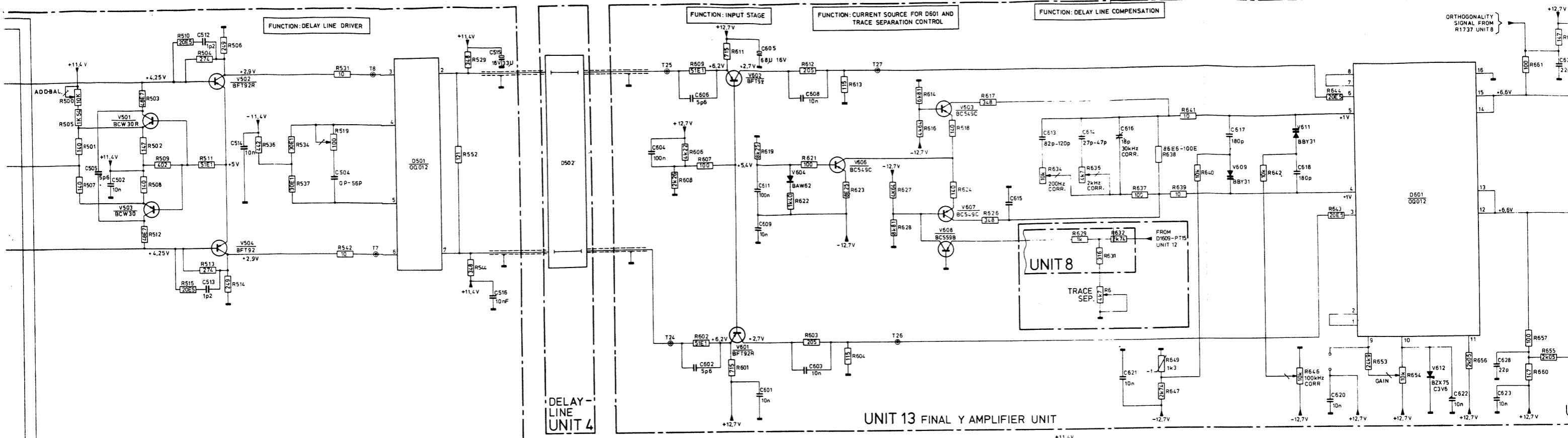


Fig. 12.15. Final X-amplifier (unit 26), lay-out





UNIT 8 MAIN AND DELAYED TIME-BASE UNIT



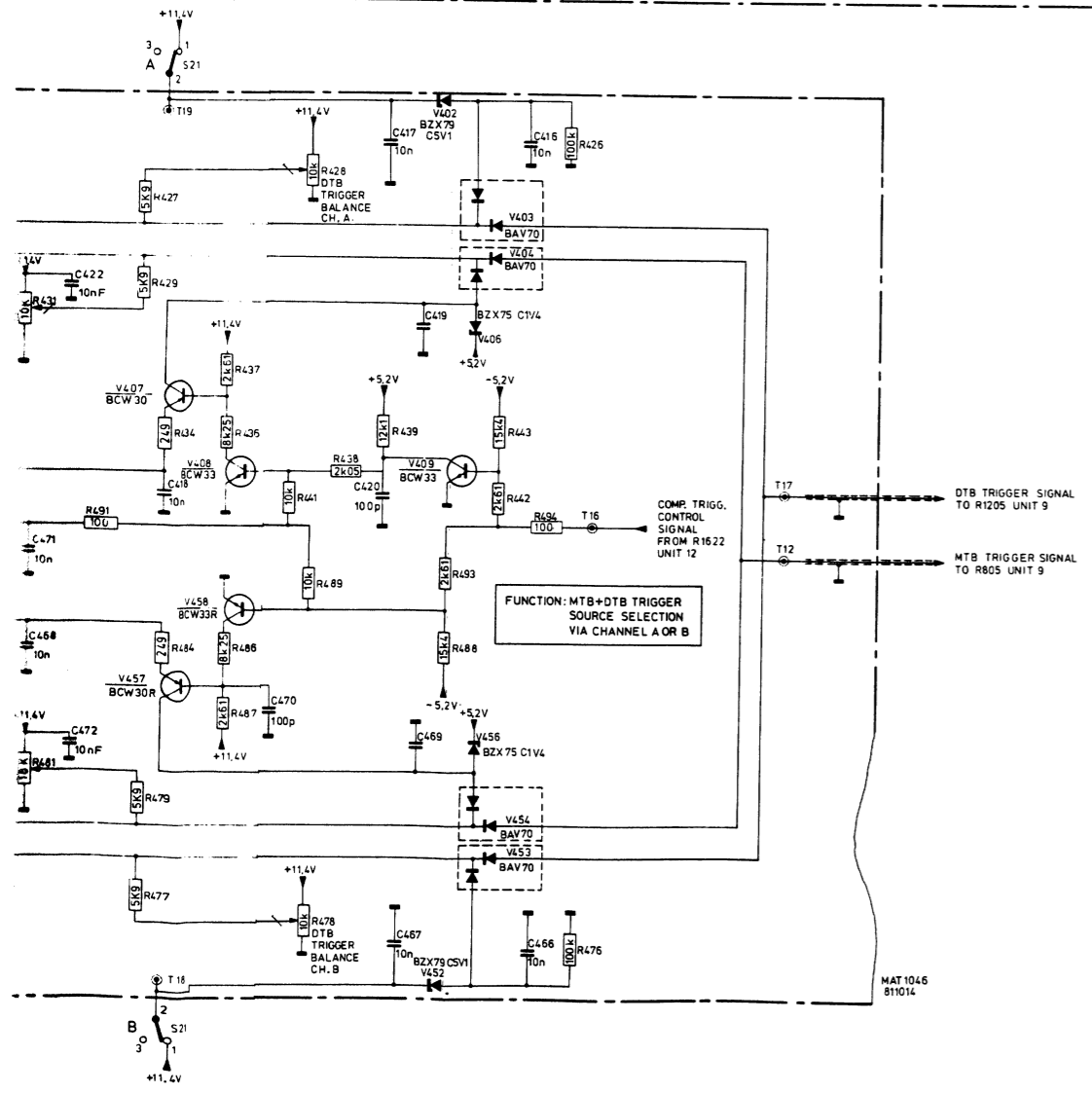
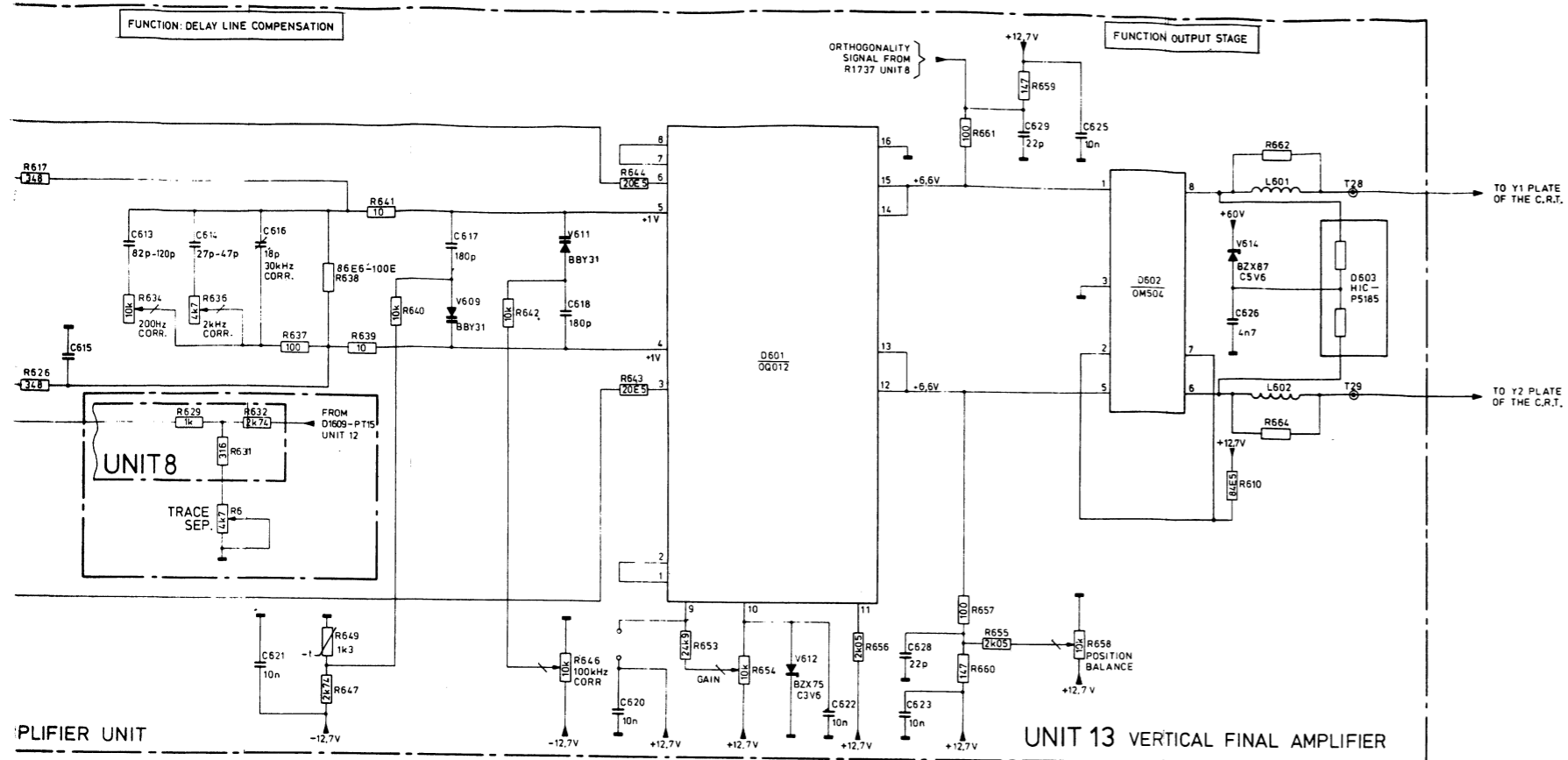
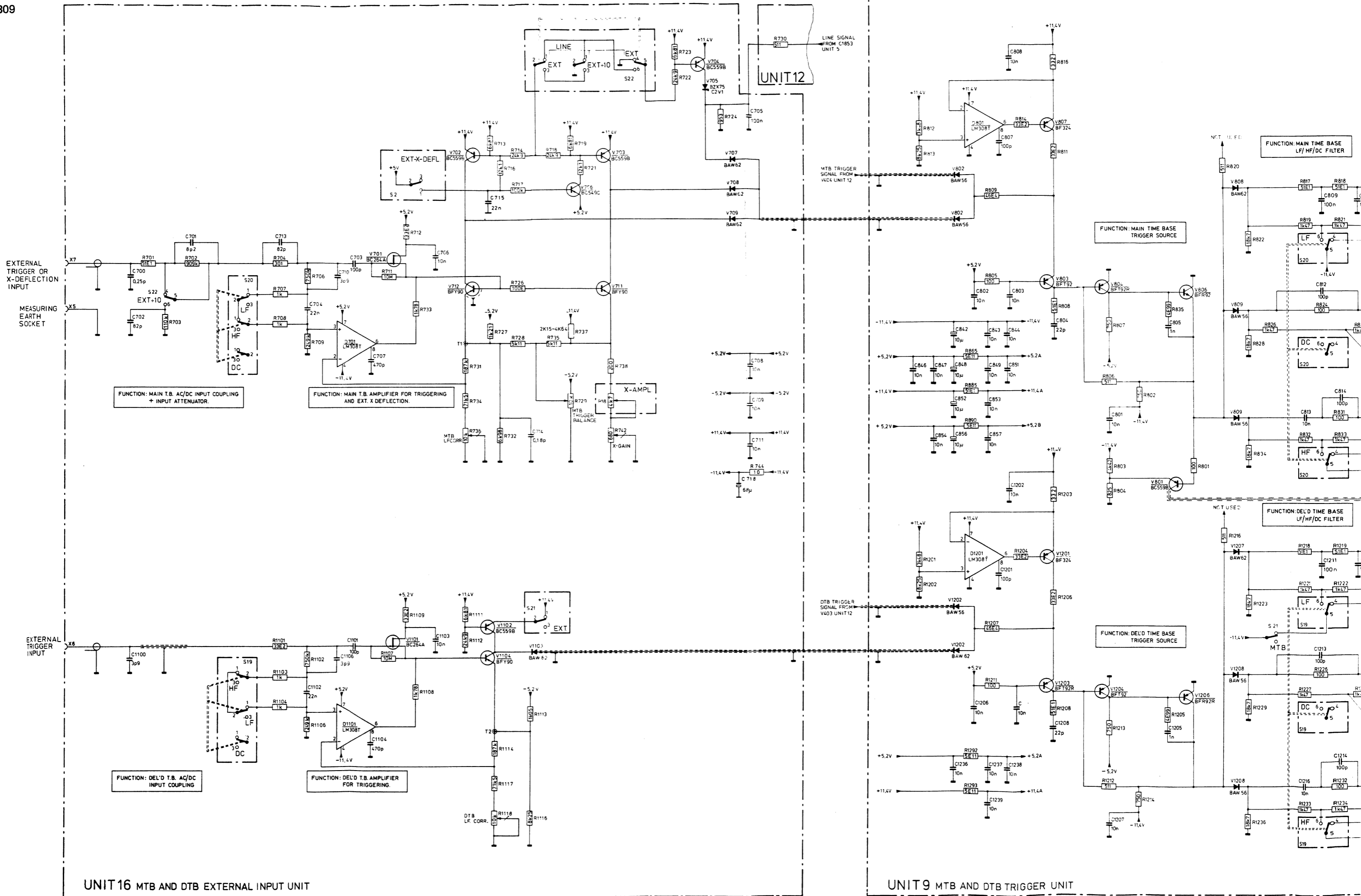


Fig. 12.17. Vertical channels, circuit diagram

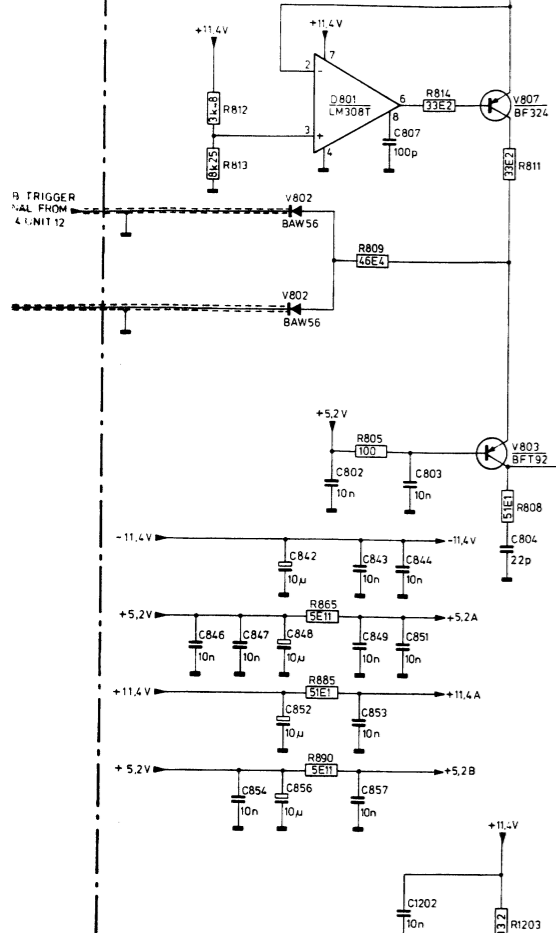


UNIT 16 MTB AND DTB EXTERNAL INPUT UNIT

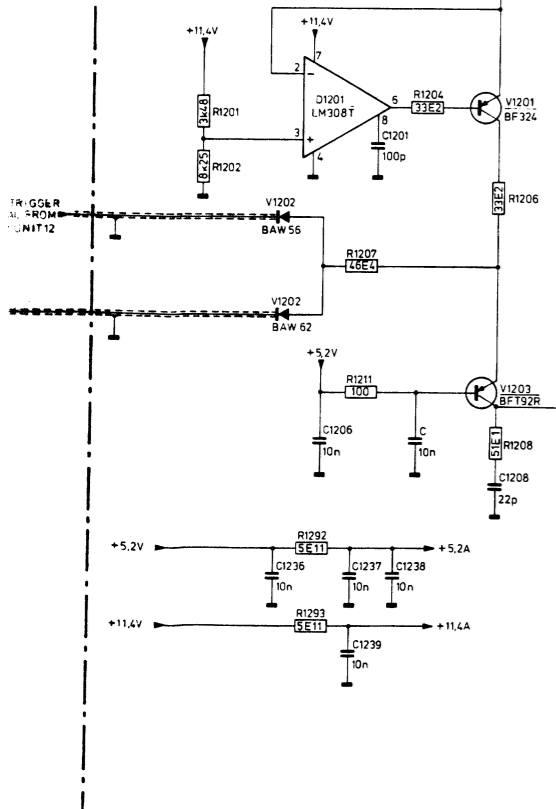
UNIT 9 MTB AND DTB TRIGGER UNIT

UNIT 12

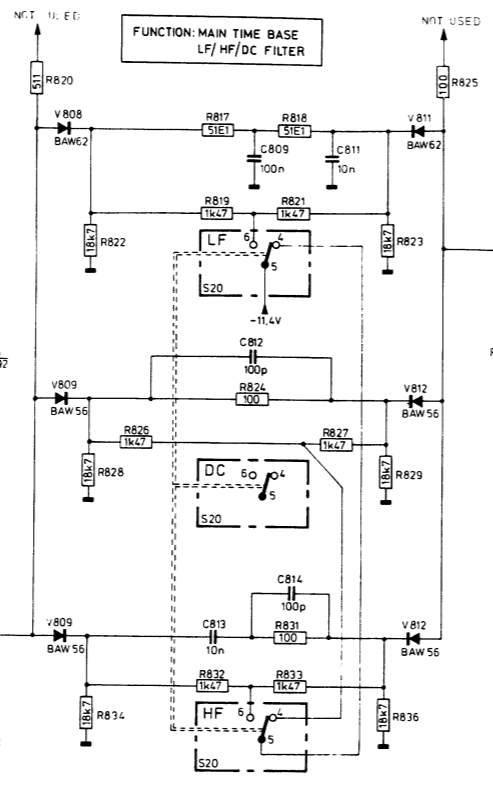
TRIGGER SIGNAL FROM UNIT 12



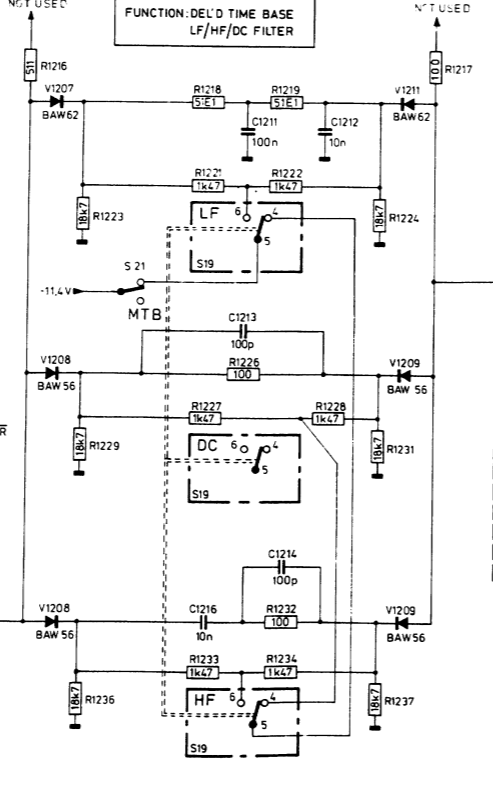
FUNCTION: MAIN TIME BASE TRIGGER SOURCE



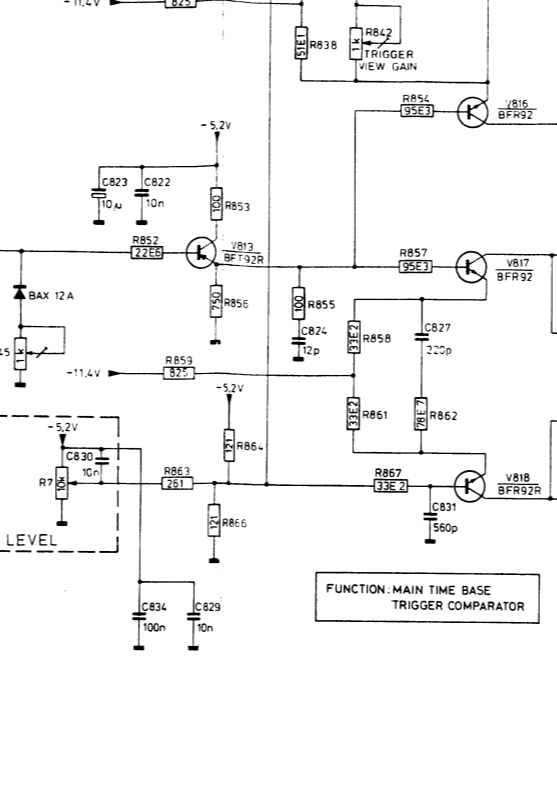
FUNCTION: DEL'D TIME BASE TRIGGER SOURCE



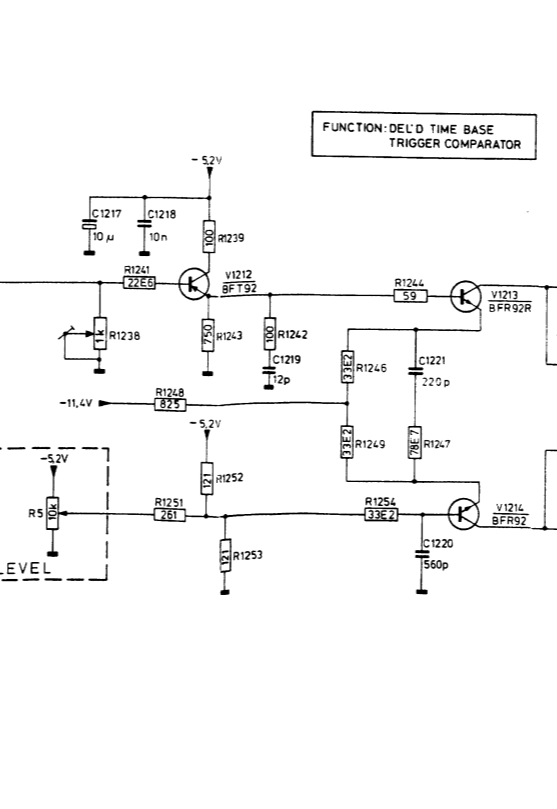
FUNCTION: MAIN TIME BASE LF/HF/DC FILTER



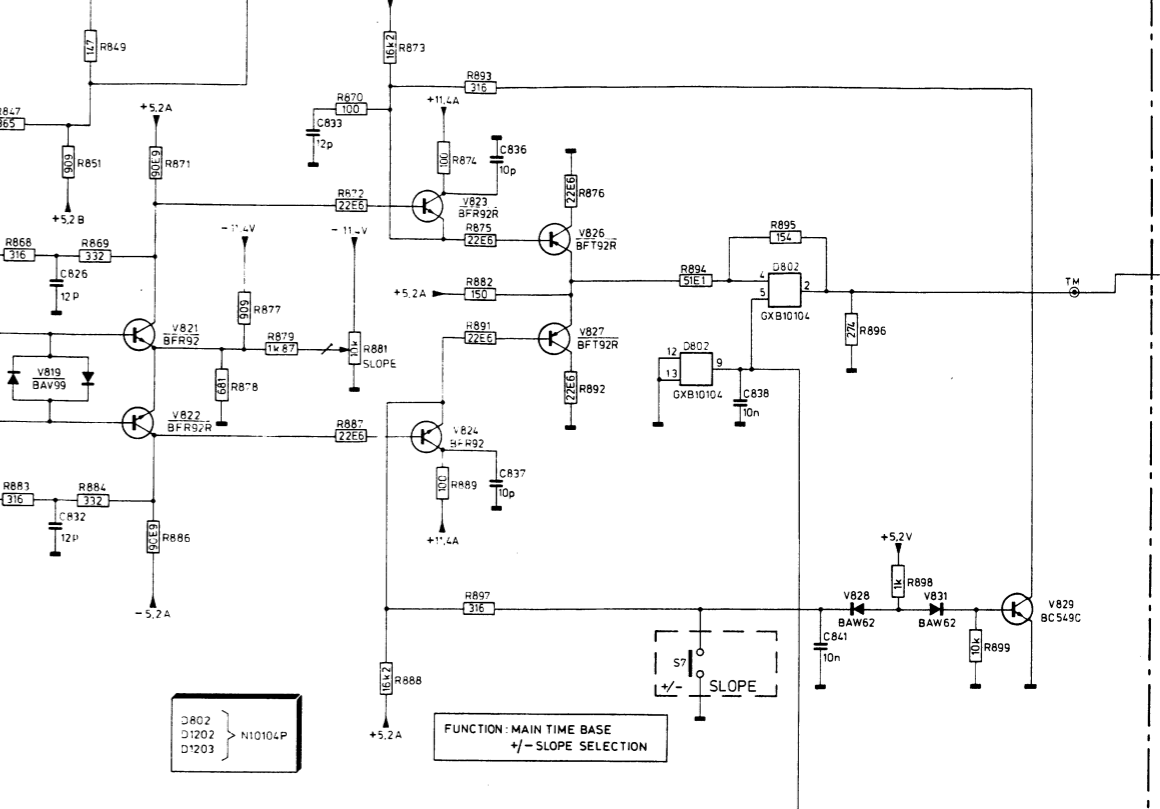
FUNCTION: DEL'D TIME BASE LF/HF/DC FILTER



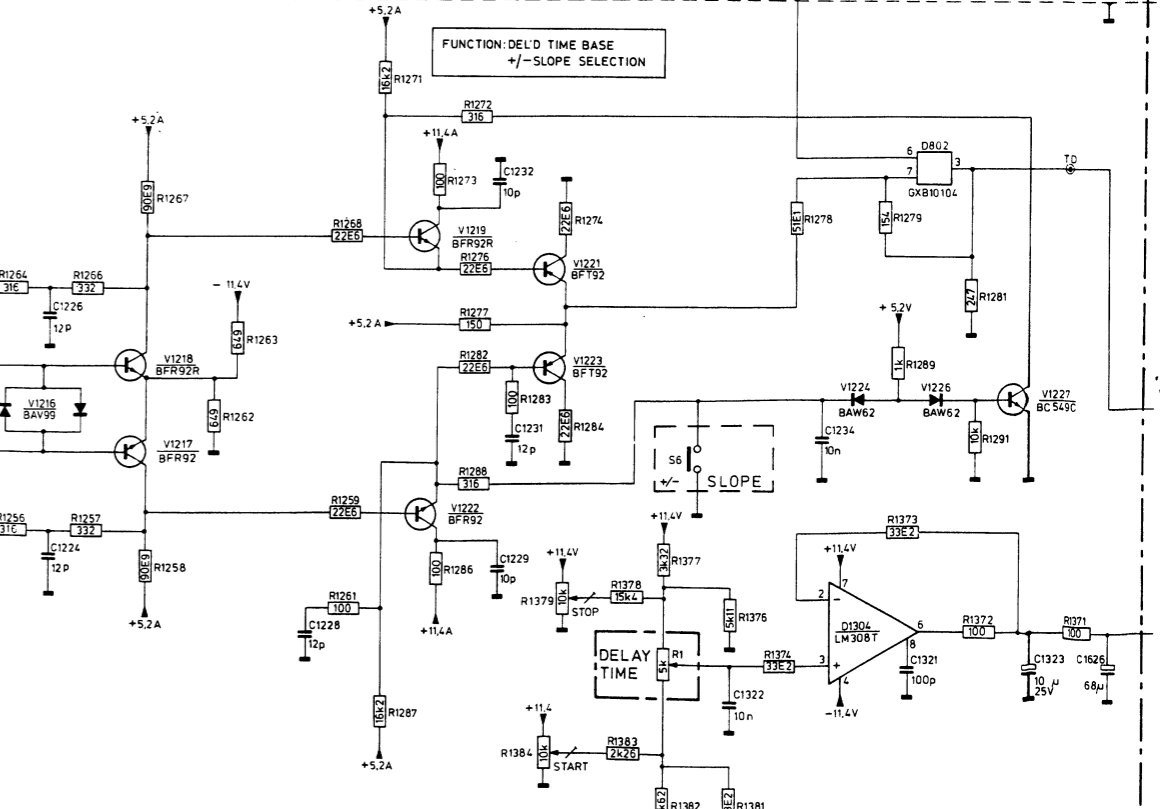
FUNCTION: MAIN TIME BASE TRIGGER COMPARATOR



FUNCTION: DEL'D TIME BASE TRIGGER COMPARATOR

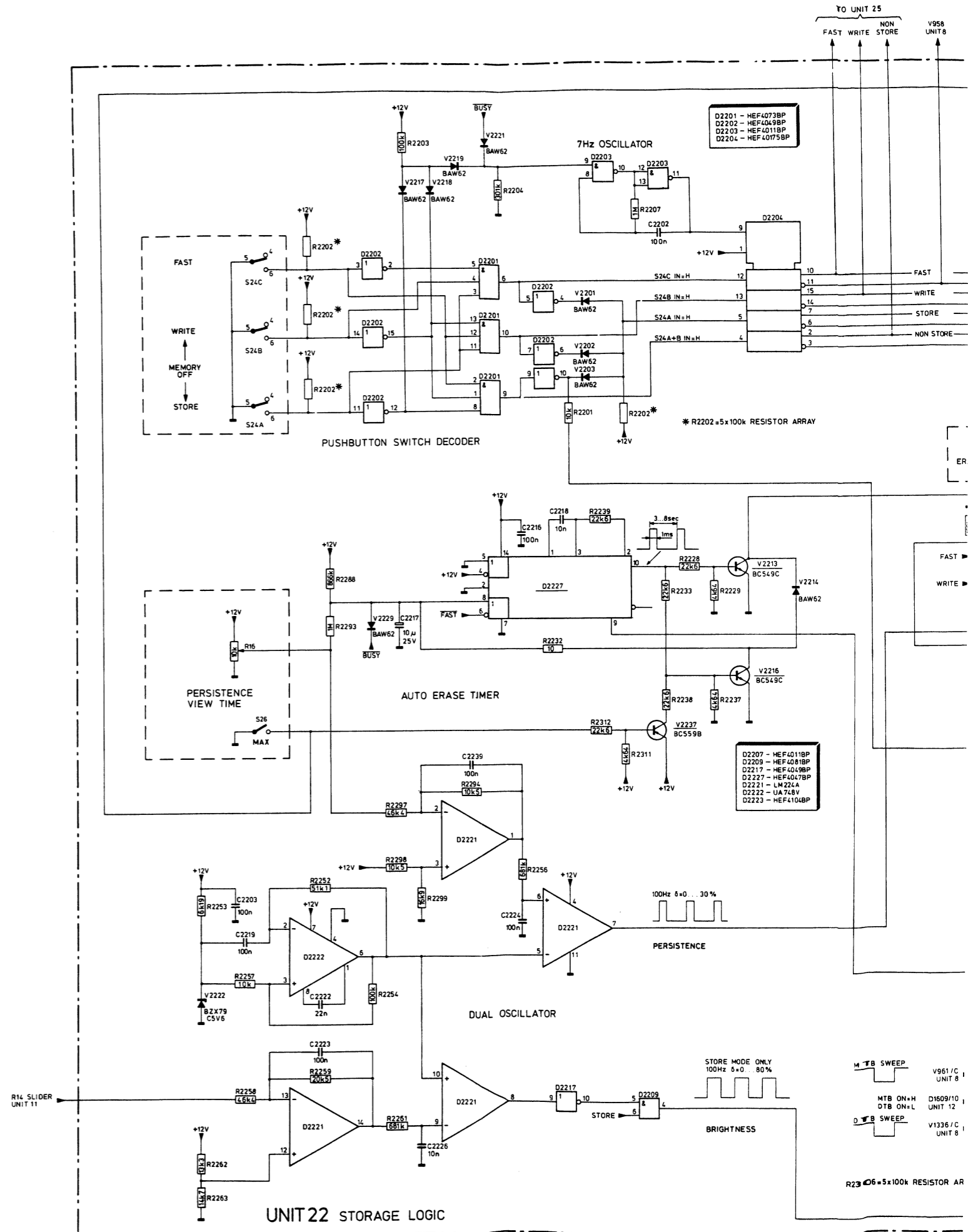


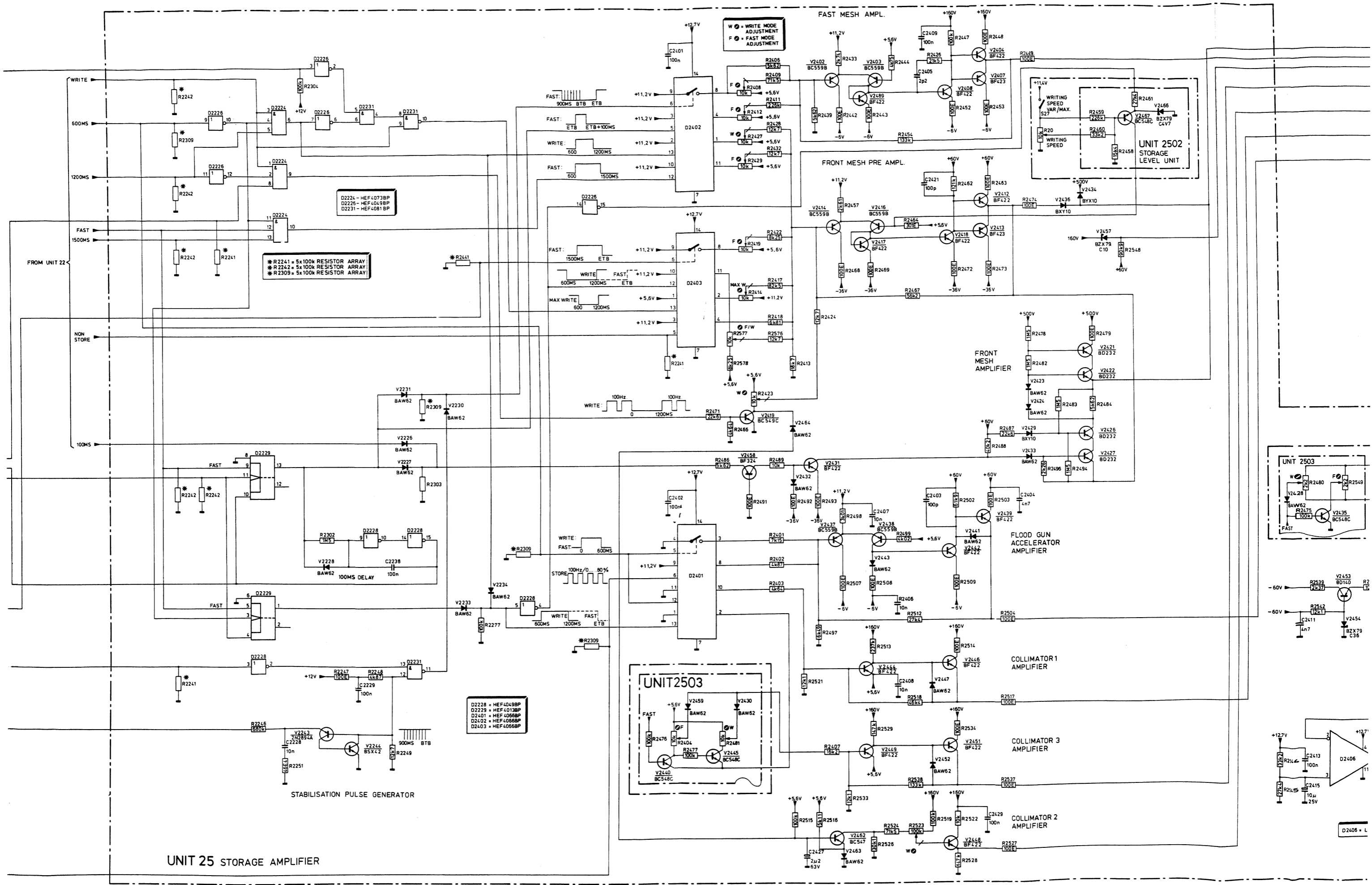
FUNCTION: MAIN TIME BASE +/- SLOPE SELECTION



FUNCTION: DEL'D TIME BASE +/- SLOPE SELECTION

UNIT 9 MTB AND DTB TRIGGER UNIT





W = WRITE MODE ADJUSTMENT
 F = FAST MODE ADJUSTMENT

D2224 - HEF4073BP
 D2226 - HEF4049BP
 D2231 - HEF4081BP

*R2241 = 5x100k RESISTOR ARRAY
 *R2242 = 5x100k RESISTOR ARRAY
 *R2309 = 5x100k RESISTOR ARRAY

D2228 = HEF4049BP
 D2229 = HEF4013BP
 D2401 = HEF4068BP
 D2402 = HEF4068BP
 D2403 = HEF4068BP

D2406 = L

UNIT 25 STORAGE AMPLIFIER

UNIT 2502 STORAGE LEVEL UNIT

UNIT 2503

FRONT MESH AMPLIFIER

FRONT MESH PRE AMPL.

FAST MESH AMPL.

FLOOD GUN ACCELERATOR AMPLIFIER

COLLIMATOR 1 AMPLIFIER

COLLIMATOR 3 AMPLIFIER

COLLIMATOR 2 AMPLIFIER

STABILISATION PULSE GENERATOR

UNIT 2503

WRITE

600MS

1200MS

FAST

1500MS

NON STORE

100MS

FROM UNIT 22

FAST: 900MS BTB ETB

FAST: ETB ETB+100MS

WRITE: 600 1200MS

FAST: 600 1500MS

FAST: 1500MS ETB

WRITE: 600MS 1200MS ETB

MAX WRITE: 600 1200MS

WRITE: 100Hz

WRITE: 100Hz

FAST

FAST

WRITE: 600MS

STORE: 100Hz/0...80%

WRITE: 600MS 1200MS ETB

FAST

FAST

900MS BTB

-60V

-60V

+12.7V

+12.7V

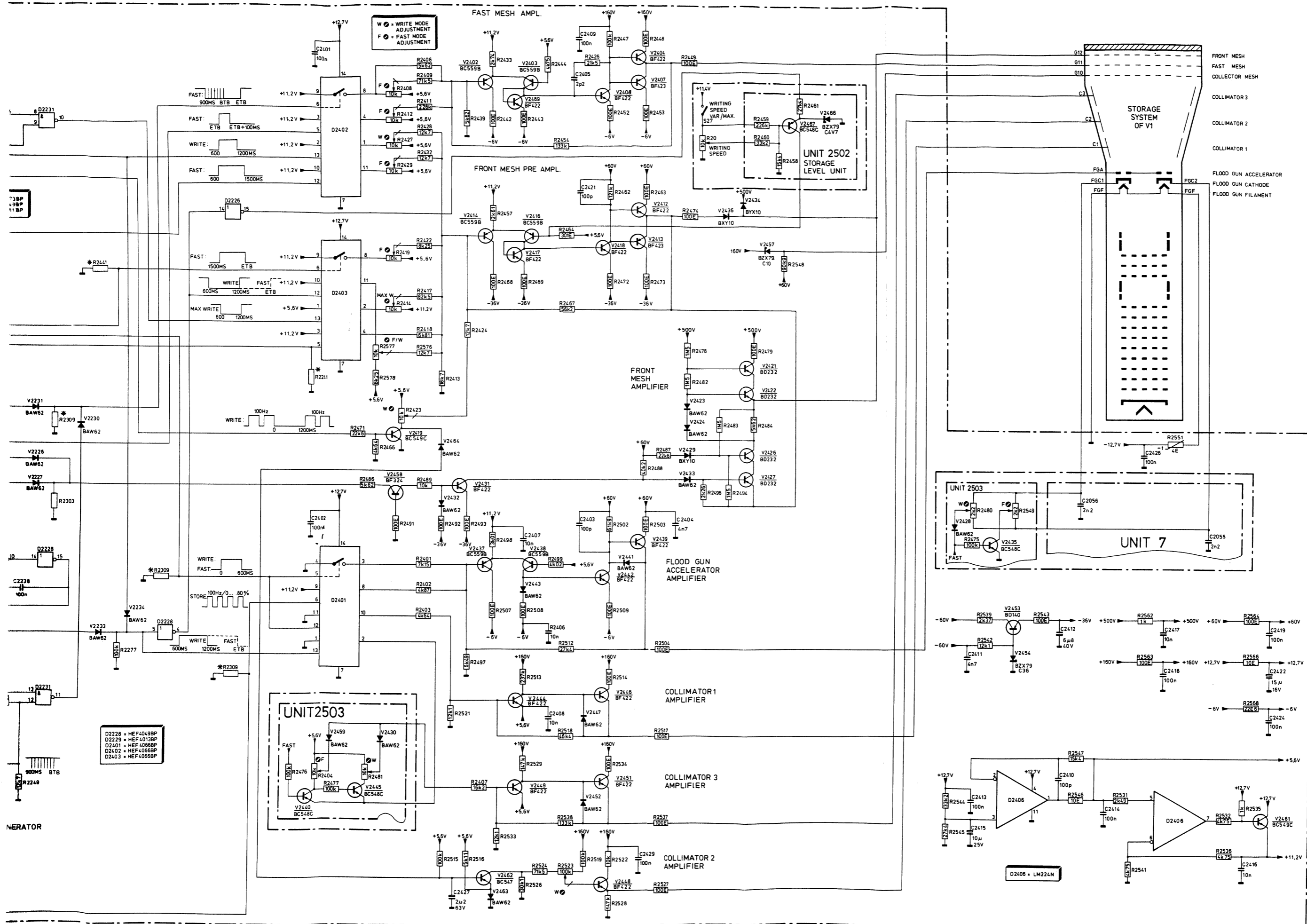
+5.6V

+5.6V

+160V

+160V

+15V



FRONT MESH
FAST MESH
COLLECTOR MESH
COLLIMATOR 3
COLLIMATOR 2
COLLIMATOR 1
FLOOD GUN ACCELERATOR
FLOOD GUN CATHODE
FLOOD GUN FILAMENT

UNIT 7

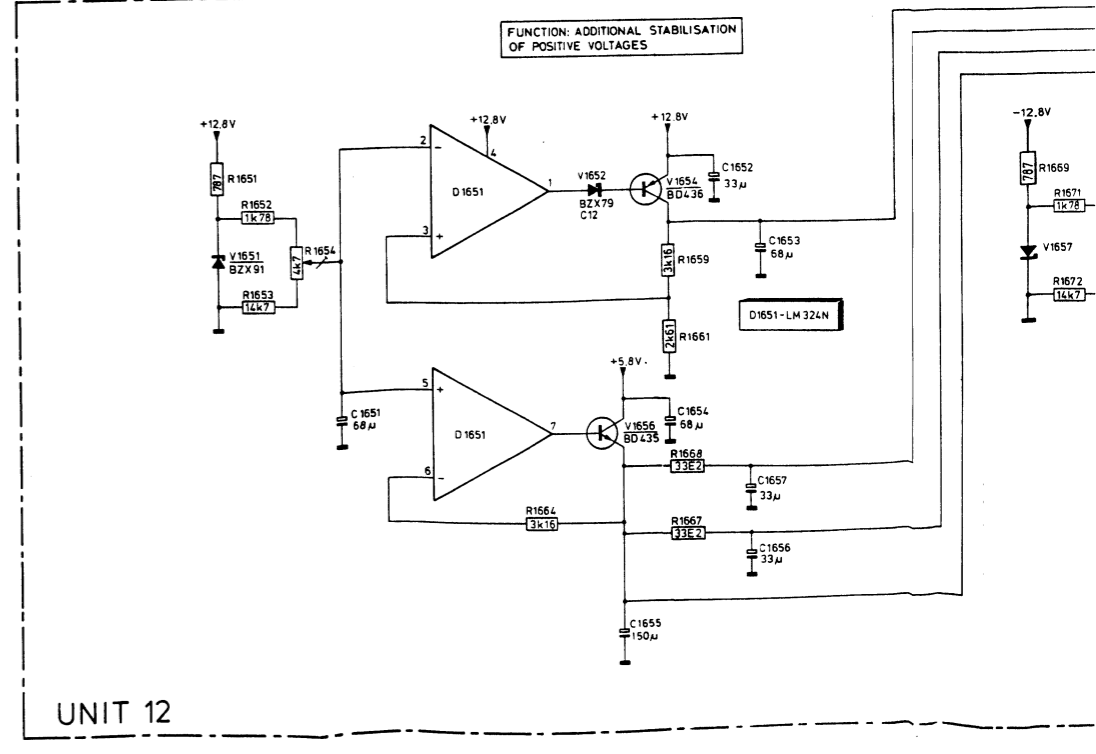
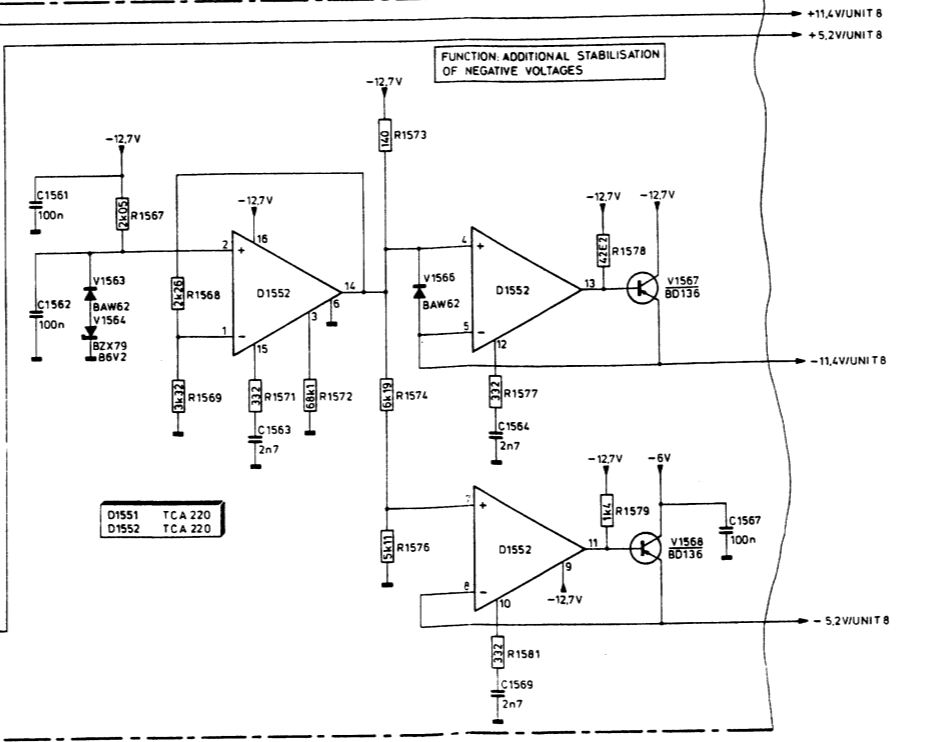
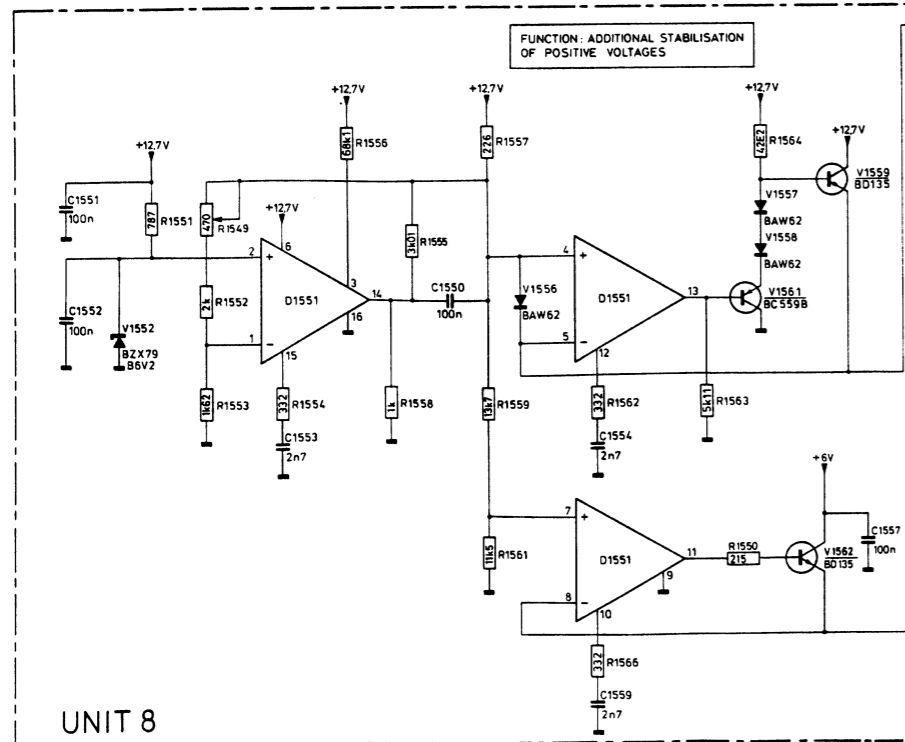
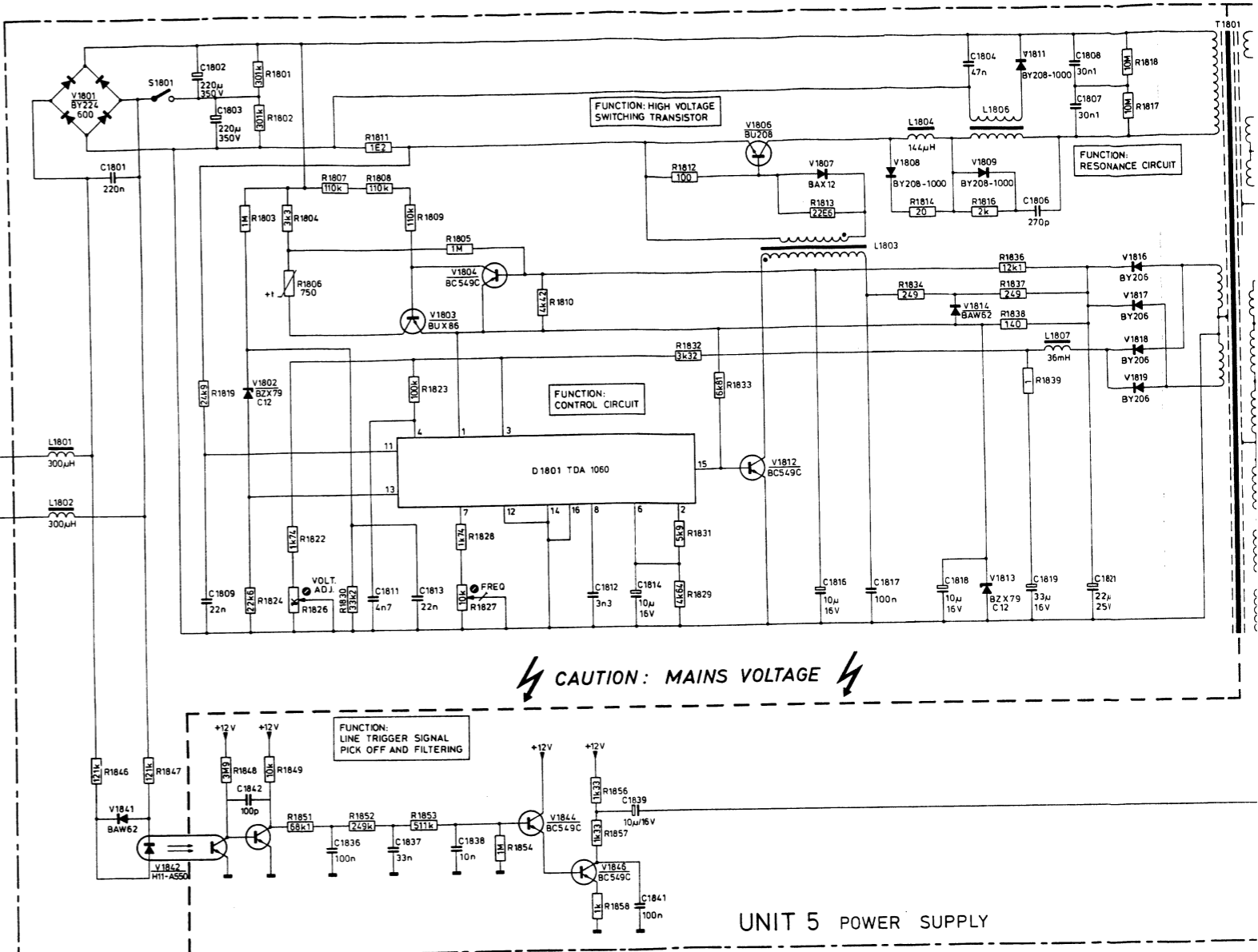
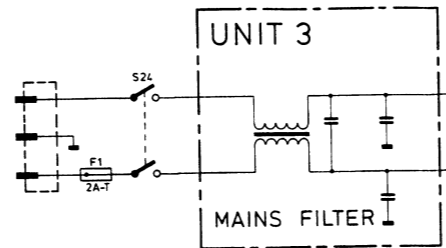
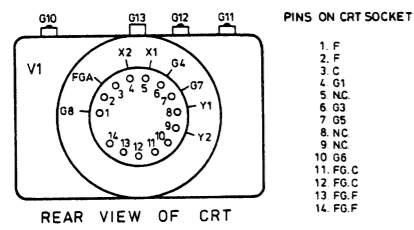
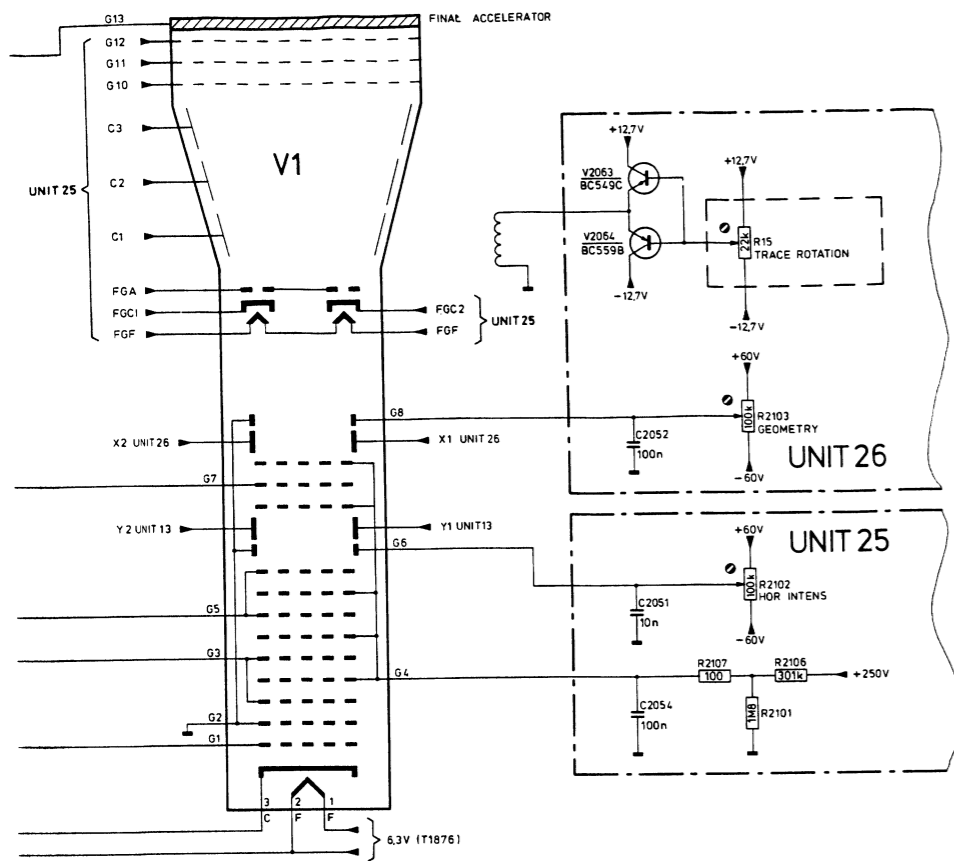
UNIT 2503

UNIT 2503

D2406 = LM224N

MAT 105A
811009

Fig. 12.19. Storage system, circuit diagram



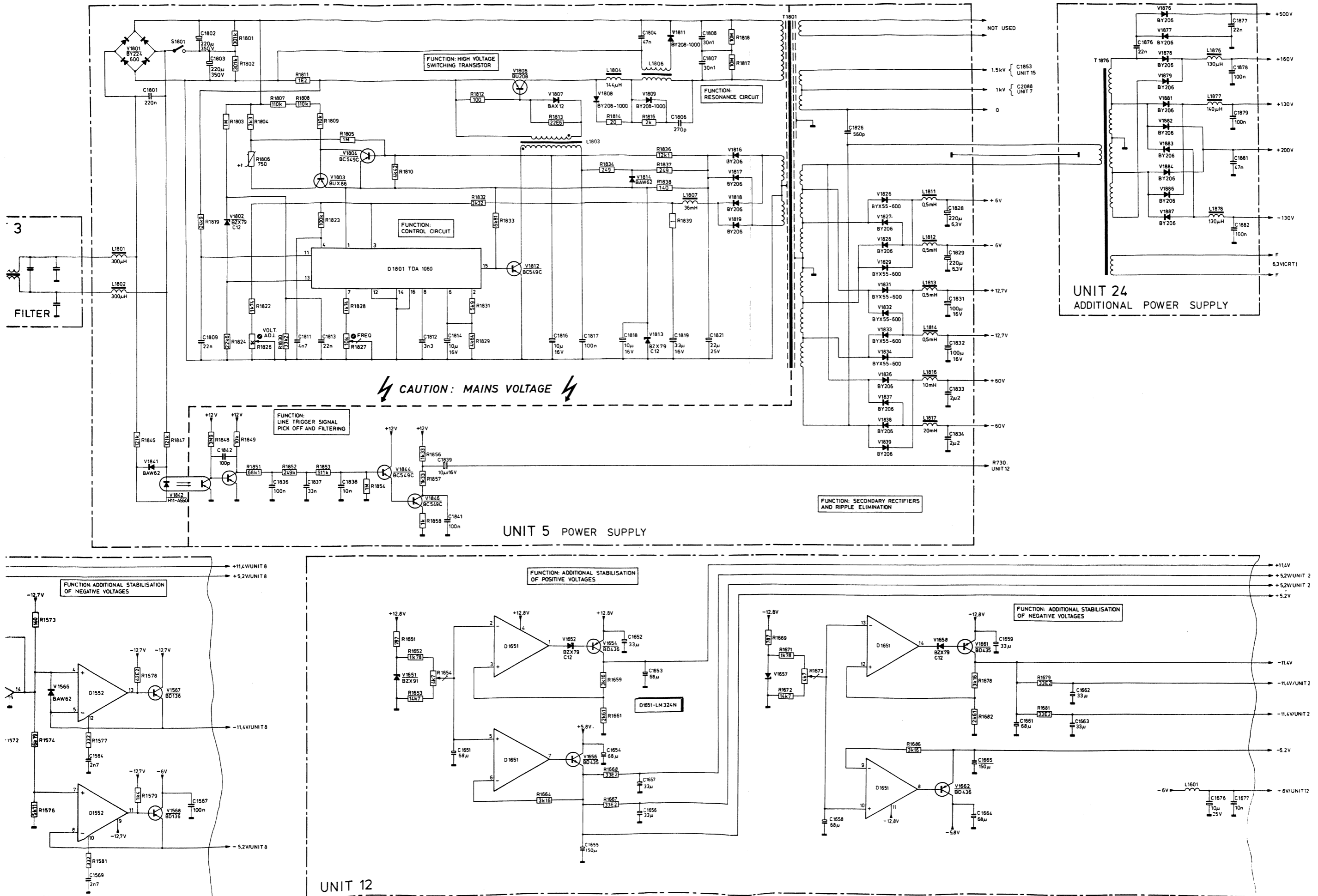


Fig. 12.20. Z-amplifier, focus and power supply, circuit diagram